

HSF



ROHS

SPECIFICATIONS:

Current Rating: 3 Amp  
 Insulation Resistance: 5000M ohms min  
 Contact Resistance: 20M ohms max  
 Dielectric Withstanding: AC500V  
 Operating Temperature: -65° C to +125° C  
 Contact Material: Brass  
 Insulator Material: PA6T, UL 94V-0 Black

Ordering Code:

PHEU06 - 04 - X - S - X - X - X - X  
 ① ② ③ ④ ⑤ ⑥ ⑦ ⑧

① Series No:

② No. of Contacts:  
04 PIN

③ Contact Plating:

G0:Gold flash S0:Selective gold  
 G1:3U" Gold S1:Selective 3u"  
 G2:5u" Gold S2:Selective 5u"  
 G3:10u" Gold S3:Selective 10u"  
 G4:15u" Gold S4:Selective 15u"  
 G5:30u" Gold S5:Selective 30u"  
 SN: Tin

④ Connector Type  
S: Single

⑤ Pin Length:  
A:0360=3.60mm  
B:0630=6.30mm  
Please mark the desired length in the A/B

⑥ Insulator Material:

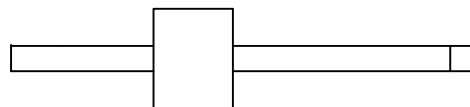
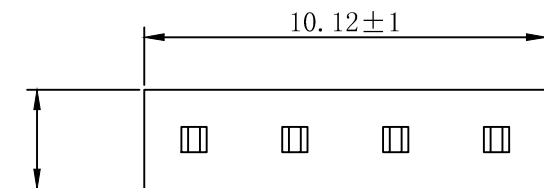
A:PBT  
B:PA6T  
C:LCP  
D:PA46  
E:PA9T

⑦ Packing:

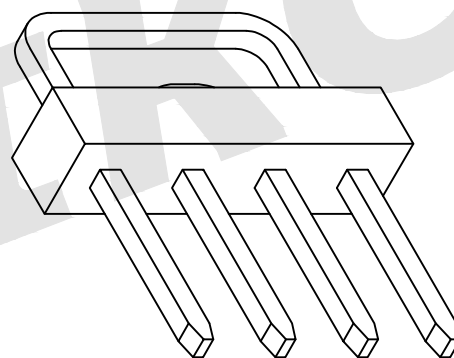
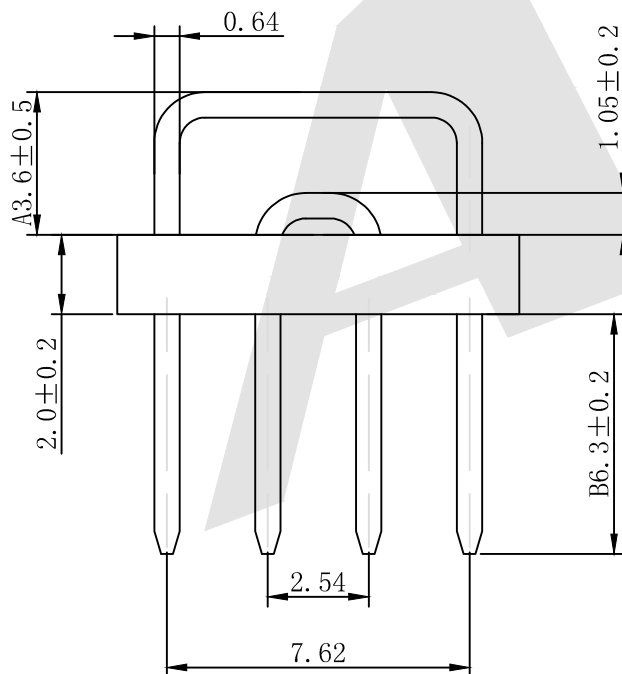
A:Tray  
B:Bag  
T:Tube  
U:Tube+CAP  
R:Tape&Reel  
W:Tape&Reel+CAP

⑧ Plastic High

H1:1.70mm  
H2:2.54mm  
H3:2.00mm  
H4:1.50mm



2.54 ± 0.05



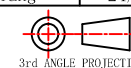
Unless Otherwise specified tolerance

X. ±0.35 X.XX: ±0.20  
X.X: ±0.25 X.XXX: ±0.15

SCALE: As Shown UNIT: mm

DRAW ZLA DATE 24/04/2022

CHECK BobYang DATE 24/04/2022



3rd ANGLE PROJECTION

**Atkconn**® ATKCONN ELECTRONICS CO., LTD  
[Http://www.atkconn.com](http://www.atkconn.com)

TITLE: 2.54mm Pin header Single row  
U type, 4P

DRAWING NO: PHEU06-04XXXXXX

PRODUCT NO: PHEU06-04XXXXXX

REV	DESCRIPTION	DATE