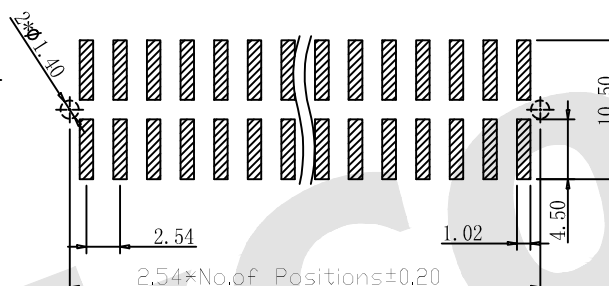
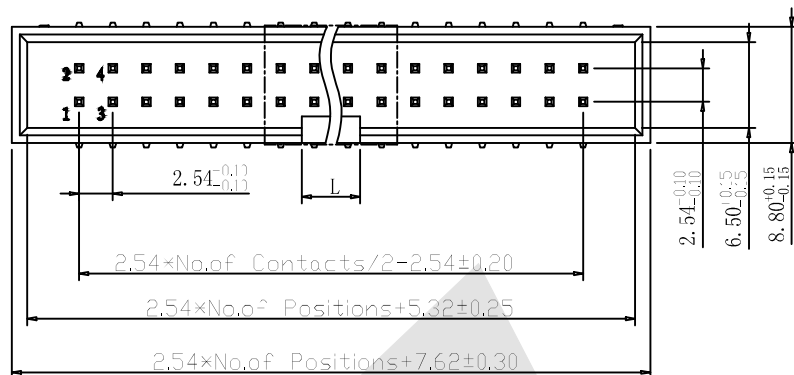




SPECIFICATION

Current Rating: 3.0Amp
 Insulation Resistance: 1000MΩ min
 Contact Resistance: 20MΩ max
 Withstand Voltage: 500V AC/DC
 Operating Temperature: -40°C to +105°C
 Contact Material: Brass
 Contact Plating: Au or Sn Over Ni
 Insulator Material: PA6T UL 94V-0

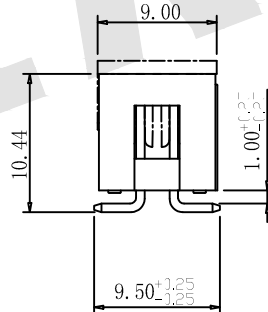
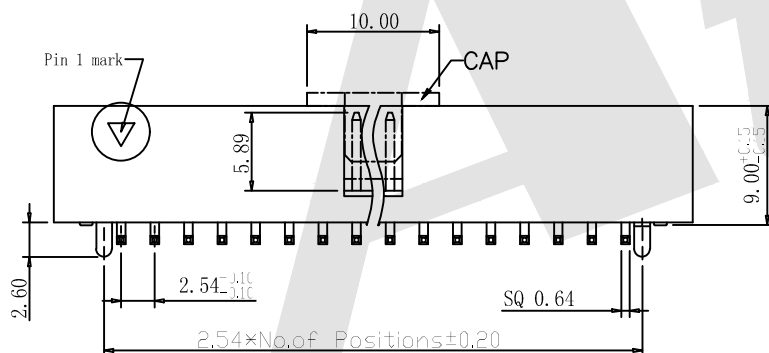
Recommended P.C.B Layout (Top Side)
 (PCB BOARD TOLERANCE ±0.05)



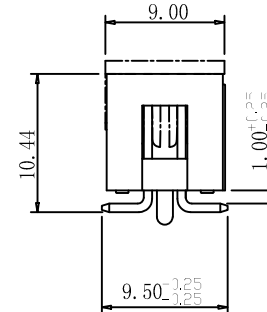
Ordering Code:

BHDM01 - X - X - X - X - X - X
 ① ② ③ ④ ⑤ ⑥ ⑦

- ① Series No:
 06 08 10 12 14 16 18
 20 22 24 26 28 30 32
 34 36 40 44 48 50 60
 64
- ② No.of Contacts
- ③ Contact Plating:
 G0:Gold flash S0:Selective
 G1:3U" Gold S1:Selective 3u"
 G2:5u" Gold S2:Selective 5u"
 G3:10u" Gold S3:Selective 10u"
 G4:15u" Gold S4:Selective 15u"
 G5:30u" Gold S5:Selective 30u"
 SN:Tin
- ④ Color Insulator
 B:Black
 U:Blue
 G:Gray
- ⑤ Insulator Material
 B:PA6T
 C:LCP
 E:PA9T
- ⑥ Packing
 A:Tray
 B:Bag
 T:Tube
 U:Tube+CAP
 R:Tape&Reel
 W:Tape&Reel+CAP
- ⑦ With locating pegs option
 A:Type A without pegs
 B:Type B with pegs



A=TYPE A



B=TYPE B

Unless Otherwise specified tolerance
 X. ±0.35 X.XX: ±0.20
 X.X: ±0.25 X.XXX: ±0.15

SCALE: As Shown UNIT: mm
 DRAW ZLA DATE 24/04/2022
 CHECK BobYang DATE 24/04/2022



Atkconn® ATKCONN ELECTRONICS CO., LTD
[Http://www.atkconn.com](http://www.atkconn.com)

TITLE: 2.54mm Box Header SMT H=9.0
 (with or without Post)

DRAWING NO: BHDM01-XXXXXX

PRODUCT NO: BHDM01-XXXXXX

REV	DESCRIPTION	DATE
1		
2		
3		
4		
5		