

SPECIFICATIONS:

1. Electrical Characteristics:
 - 1.1 Contact Current Rate: 1AMP
 - 1.2 Insulation Resistance: 500MΩ Minimum
 - 1.3 Contact Resistance: 25MΩ Maximum
 - 1.4 Dielectric Voltage: 500V AC For One Minute
2. Material:
 - 2.1 Insulator: PBT+30%G/F
 - 2.2 Contact: Copper Alloy T=0.30
 - 2.3 Board Lock: Copper Alloy T=0.50
 - 2.4 Shell: ZINC Alloy
3. Finish:
 - 3.1 Shell: Nickel Plated
 - 3.2 Contact: Gold Plated On Contact Area, Tin Plated On Soldering End, Nickel Under-Plating
 - 3.3 Board Lock: Nickel Plated
4. Environment:
 - Operation Temperature: -55° C To +125° C

Ordering Code:

CNR - F - X - X - X - X
 ① ② ③ ④ ⑤ ⑥

- | | |
|--|---|
| <ol style="list-style-type: none"> ① Series No: ② Contact Type:
F: Female ③ Contact NO.:
14=14P 20=20P
26=26P 36=36P 50=50P ④ Threaded Finishes:
1: Threaded Insert #2-56
2: Threaded Insert #4-40
3: Threaded Insert M2.6 | <ol style="list-style-type: none"> ⑤ Contact Plating:
S0: Gold Flash Selective Plating
S2: 5u" Gold Selective Plating
S4: 15u" Gold Selective Plating
S5: 30u" Gold Selective Plating ⑥ Bracket Finishes:
L: Latch Bracket
S: Screw Bracket |
|--|---|

Unless Otherwise specified tolerance
 X. ±0.35 X.XX: ±0.20
 X.X: ±0.25 X.XXX: ±0.15

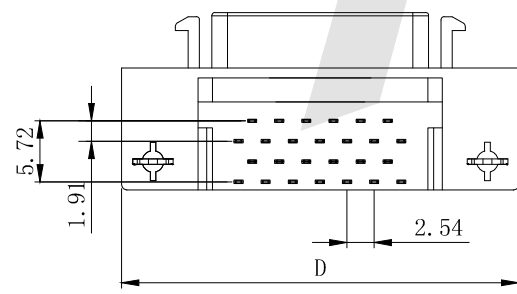
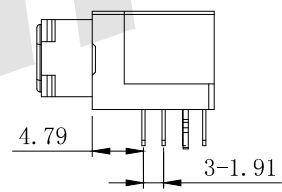
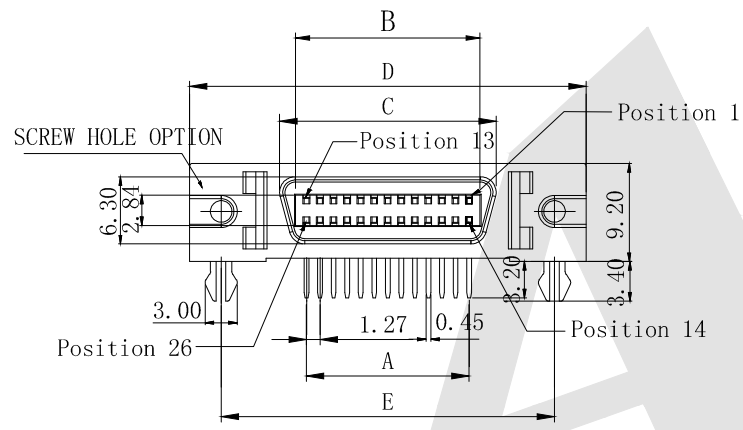
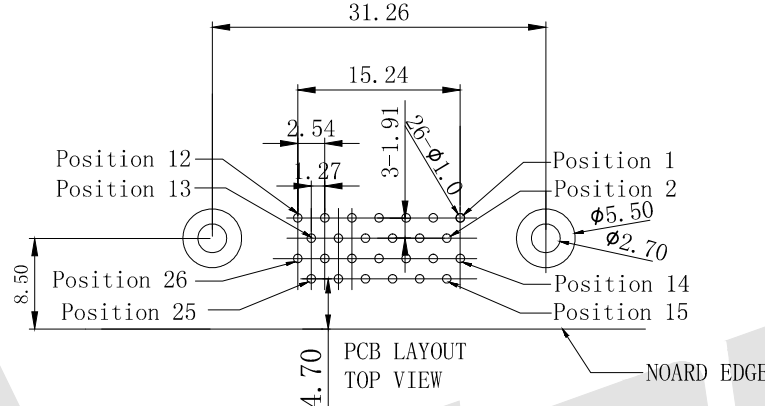
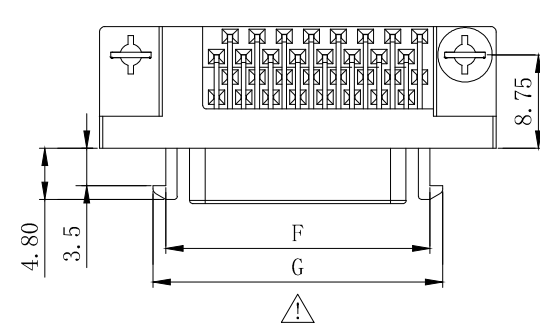
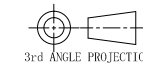
SCALE: As Shown
 UNIT: mm
 DRAW Wu Feng Rong DATE 11/08/2020
 CHECK Bob Yang DATE 11/08/2020

Atkconn® ATKCONN ELECTRONICS CO., LTD
<http://www.atkconn.com>

TITLE: 1.27mm Series NP Receptacle Headers
 Right-Angle Mount Ribbon Type

DRAWING NO: HPCNR-FXXXX

PRODUCT NO: HPCNR-FXXXX



No. of Pin	Dimensions						
	A	B	C	D	E	F	G
14	7.62	9.52	12.6	29.51	23.64	17.25	19.58
20	11.43	13.1	16.43	33.32	27.45	21.06	23.39
26	15.24	17.1	20.24	37.13	31.26	24.76	27.2
36	21.59	23.4	26.5	43.48	37.61	31.11	33.55
50	30.48	32.29	35.39	52.37	46.5	40.0	42.44

Update Annotation
 Change Dimensional Drawing

02/02/2021
 11/08/2020

REV	DESCRIPTION	DATE