

HSF



ROHS

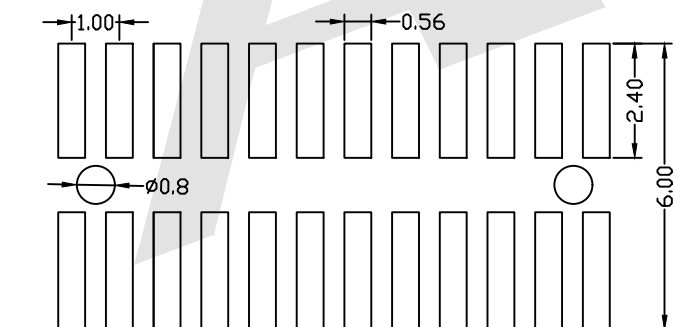
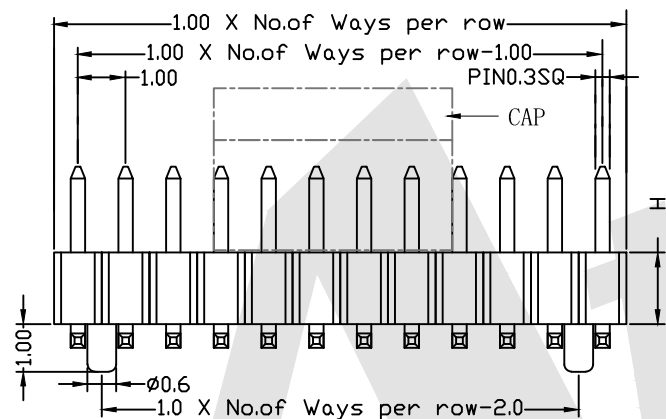
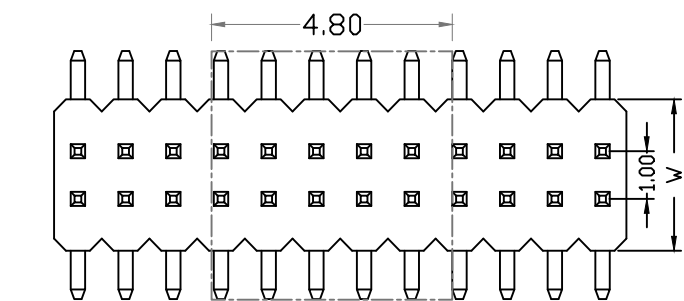
**SPECIFICATIONS:**

Current Rating: 0.75Amp  
 Insulation Resistance: 1000M ohms min  
 Contact Resistance: 20M ohms max  
 Dielectric Withstanding: AC500V  
 Operating Temperature: -65° C to +125° C  
 Contact Material: Brass  
 Insulator Material: PA6T, UL94V-0, Color:Black

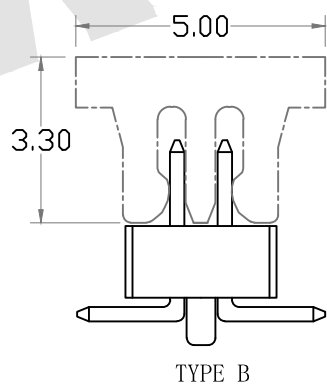
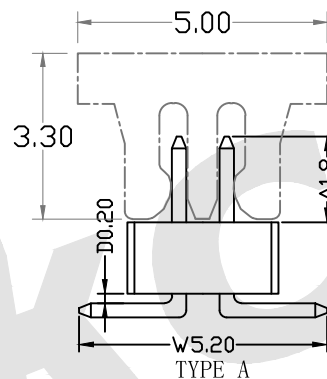
**Ordering Code:**

PHBM02 - X - X - D - A-D-W - X - X - X - X  
 ① ② ③ ④ ⑤ ⑥ ⑦ ⑧ ⑨

- ① Series No:
- ② No. of Contacts: 02 To 100
- ③ Contact Plating:  
 G0:Gold flash S0:Selective  
 G1:3U" Gold S1:Selective 3u"  
 G2:5u" Gold S2:Selective 5u"  
 G3:10u" Gold S3:Selective 10u"  
 G4:15u" Gold S4:Selective 15u"  
 G5:30u" Gold S5:Selective 30u"  
 SN:Tin
- ④ Connector Type:  
 D: Dual
- ⑤ Pin Length:  
 A:0180=1.80mm  
 D:0020=0.20mm  
 W:0520=5.20mm  
 Please mark the desired length in the A/D/W
- ⑥ Insulator Material:  
 B:PA6T  
 C:LCP  
 E:PA9T
- ⑦ Packing:  
 A:Tray  
 B:Bag  
 T:Tube  
 U:Tube+CAP  
 R:Tape&Reel  
 W:Tape&Reel+CAP
- ⑧ Plastic Height And Width:  
 A:H=1.0mm, W=3.17mm  
 B:H=1.5mm, W=3.17mm  
 C:H=1.5mm, W=2.3mm
- ⑨ With locating pegs option  
 A:Type A without pegs  
 B:Type B with pegs



P. C. B LAYOUT



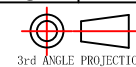
Unless Otherwise specified tolerance  
 X. ±0.35 X.XX: ±0.20  
 X.X: ±0.25 X.XXX: ±0.15

**Atkconn**® ATKCONN ELECTRONICS CO., LTD  
 Http://www.atkconn.com

SCALE: As Shown	UNIT: mm
DRAW ZLA	DATE 24/04/2022
CHECK BobYang	DATE 24/04/2022

TITLE:  
1.00mm Pin Header Dual  
Row SMT Type

DRAWING NO: PHBM02-XXD-0180-0020-0520-XXXX  
 PRODUCT NO: PHBM02-XXD-0180-0020-0520-XXXX



REV	DESCRIPTION	DATE