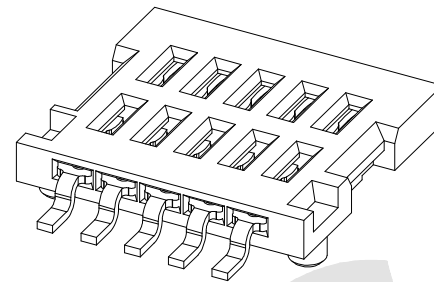
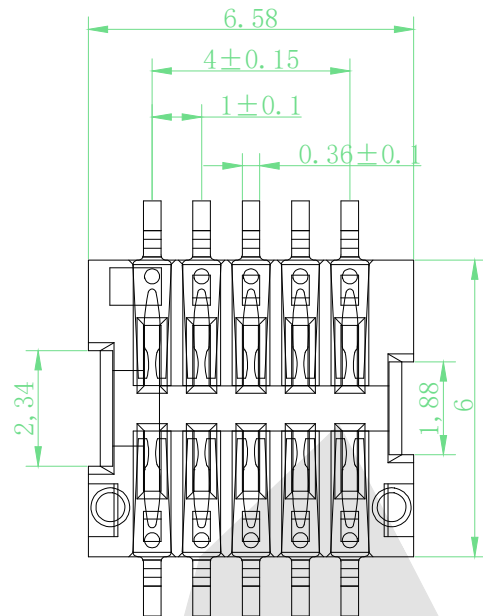




Specifications

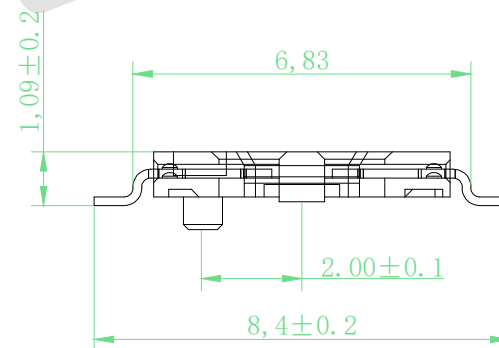
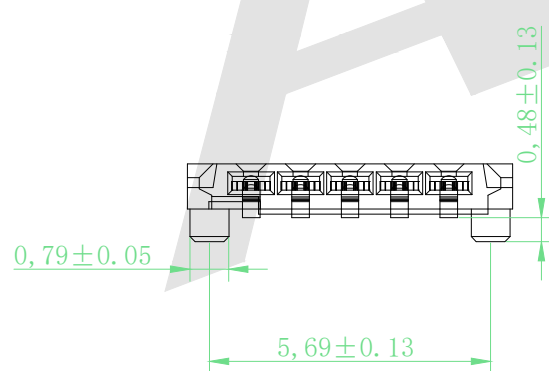
- CONTACT PLATING:30 MICROINCHES OF GOLD AVERAGE OVER PER MIL-G-45204C OVER 50 MICROINCHES MIN. SULFAMATE NICKEL PER QQ-N-290
- Contact Material:PHOSPHOR BRONZE ALLOY 510 SPRING TEMOER
- BODY MATERIAL:FORTRON 1140L6
- CONNECTORS UNLIMITED PART NUMBER 910172



Ordering Code:

BB1.0 - F - X - X - X - X - 02
 ① ② ③ ④ ⑤ ⑥ ⑦

- ① Series NO:
1.0mm Board to Board connector
- ② M:Male F:Female
- ③ Mating Height:
2:2.0MM
- ④ NO. of contacts:
10:10poles
- ⑤ Contact Plating
G0: Gold flash
G1: 3u" Gold
G2: 5u" Gold
G3: 10u" Gold
G4: 15u" Gold
G5: 30u" Gold
SN: Tin
- ⑥ Packing
T:Tube A:Tray
B:Bag U:Tube+CAP
R:tape&Reel
W:tape&Reel+CAP
- ⑦ serial number:
02



Unless Otherwise specified tolerance
 X. ±0.35 X.XX:±0.20
 X.X:±0.25 X.XXX:±0.15

SCALE: As Shown	UNIT: mm
DRAW ZLA	DATE 24/10/2022
CHECK BobYang	DATE 24/10/2022
VER. A0	

Atkconn® ATKCONN ELECTRONICS CO.,LTD
[Http://www.atkconn.com](http://www.atkconn.com)

TITLE: 1.0mm Board to Board Female Connector
 2x5P Mating Height=2.0mm

DRAWING NO: BB1.0F-XXXX02

PRODUCT NO: BB1.0F-XXXX02

REV	DESCRIPTION	DATE
1		
2		
3		
4		
5		