



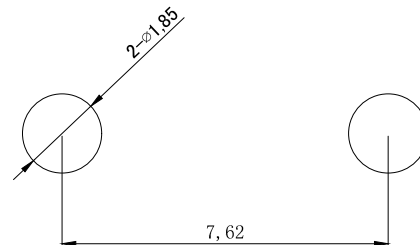
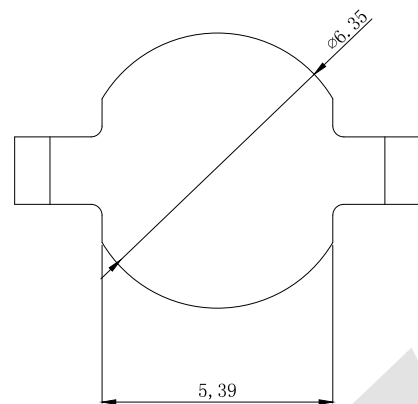
NOTES:

- 1. MATERIAL: Phosphor Bronze, T=0.20mm.
- 2. PLATING:
80u" Min TIN PLATED OVERALL
50U" Min NICKEL PLATED UNDER OVERALL
- 3. Voltage Parameters: 270V
- 4. Temperature Range: -40° C-270° C

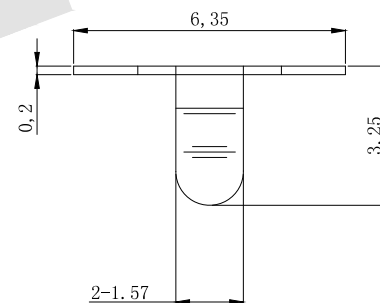
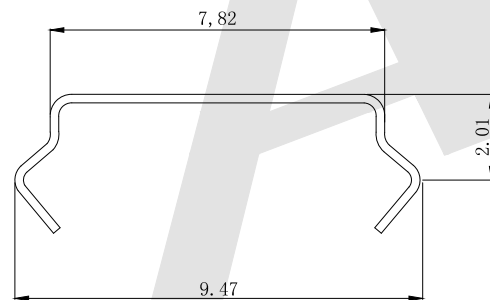
Order code:

BS - S - SN - X - 165
 ① ② ③ ④ ⑤

- ① BS: Battery Shrapnel
- ② Apperance For The Product
S:180 TYPE
- ③ Contact Plating
SI:NICKEL PLATE
SN:tin
G0: Gold Flash
G1: 3u" Gold
G2: 5u" Gold
G3: 10u" Gold
G4: 15u" Gold
G5: 30u" Gold
- ④ Packing method
A: Tray packing
R: Tape & reel packing
B: Bag packing
- ⑤ Product Number
165:165 STYLE

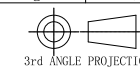


PCB LAYOUT



Unless Otherwise specified tolerance
 X. ±0.35 X.XX: ±0.20
 X.X: ±0.25 X.XXX: ±0.15

SCALE: As Shown UNIT: mm
 DRAW ZLA DATE 21/07/2022
 CHECK BobYang DATE 21/07/2022



Atkconn® ATKCONN ELECTRONICS CO., LTD
[Http://www.atkconn.com](http://www.atkconn.com)

TITLE:
 Battery Shrapnel 165 Style
 DRAWING NO: BS-R-SN-X-165
 PRODUCT NO: BS-R-SN-X-165

REV	DESCRIPTION	DATE
1		
2		
3		
4		
5		