



Note:

1. Material:

a. Housing: Glass filed PPS UL 94V-0

b. Surface Plating: Au

CONTACTS:

1. MAT'L: 0.2mm TH' K PHOSPHOR BRONZE

2. FINISH: GOLD FLASH, OVER NICKEL PLATE

Order code:

BT	S	GO	R	CR1220D
①	②	③	④	⑤

① BT: Coin Cell Holders

② Apperance for the product

M: SMT TYPE

S: 180 TYPE

R: 90 TYPE

③ Contact Plating

SN: Tin

GO: Gold flash

G1: 3U" Gold

G2: 5U" Gold

G3: 10U" Gold

G4: 15U" Gold

G5: 30U" Gold

④ Packing method

A: Tray packing

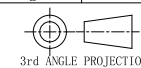
R: Tape & reel packing

⑤ Product number

CR1220D

Unless Otherwise specified tolerance
 X. ±0.35 X.XX: ±0.20
 X.X: ±0.25 X.XXX: ±0.15

SCALE: As Shown	UNIT: mm
DRAW ZLA	DATE 21/07/2022
CHECK BobYang	DATE 21/07/2022

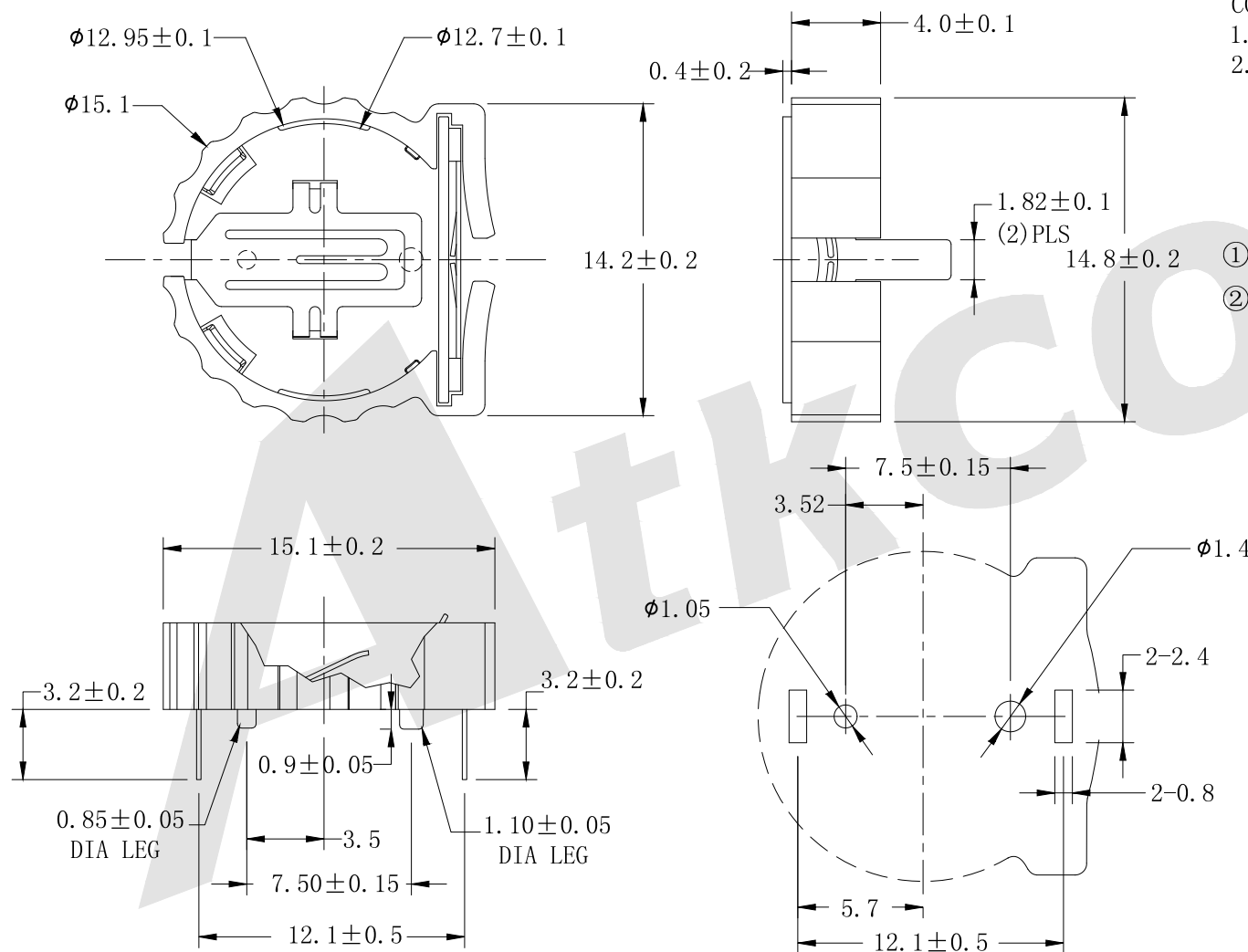


Atkconn® ATKCONN ELECTRONICS CO., LTD
[Http://www.atkconn.com](http://www.atkconn.com)

TITLE: Coin Cell Holders For CR1220

DRAWING NO: BT-R-GO-S-CR1220D

PRODUCT NO: BT-R-GO-S-CR1220D



REV	DESCRIPTION	DATE
1		
2		
3		
4		
5		