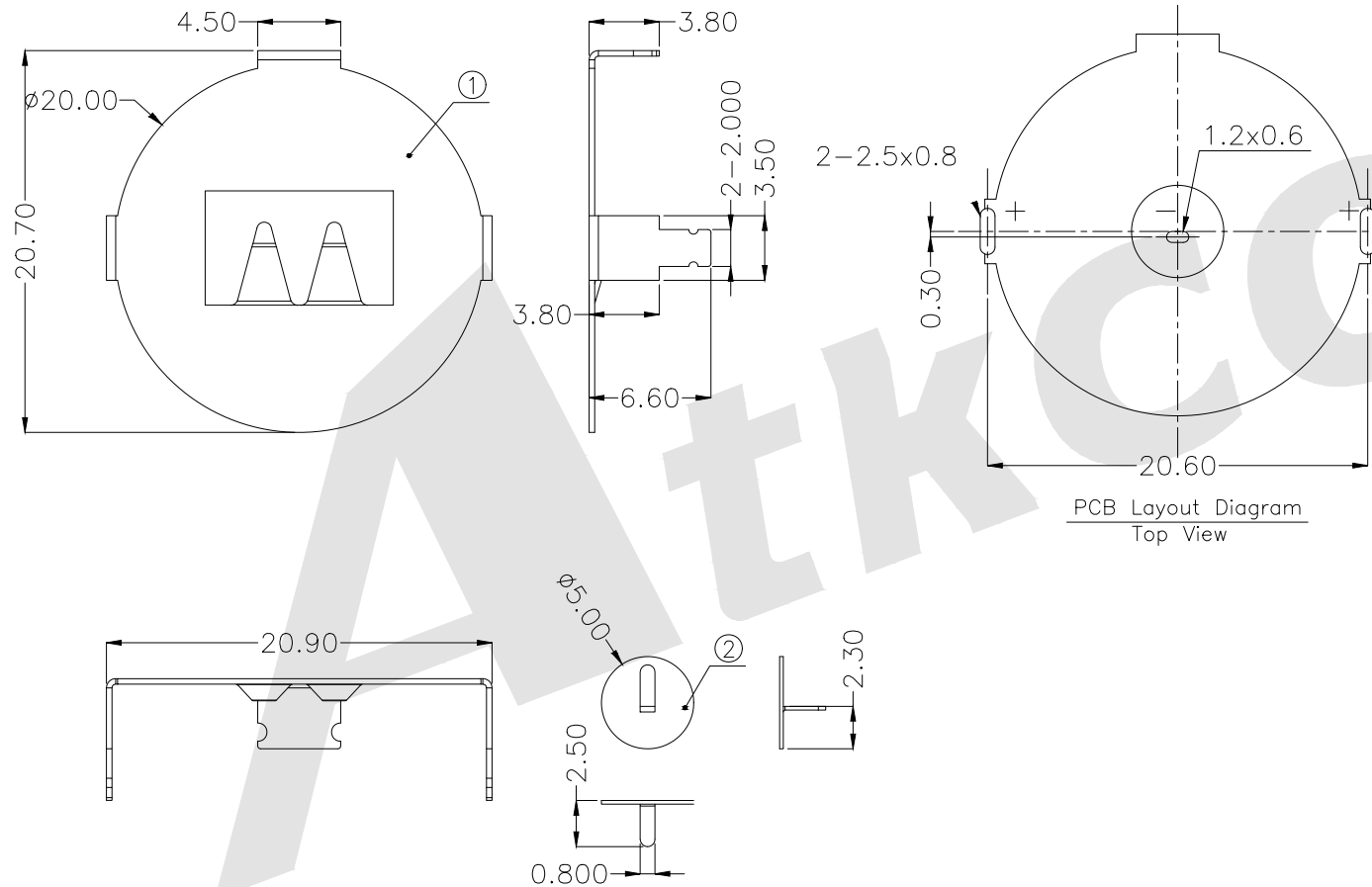




2	TERMINAL(-)	1	Mn Steel, T=0.20mm	Ni-Plating
1	TERMINAL(+)	1	PHOSPHOR BRONZE, T=0.30mm	Ni-Plating
NO.	PART NAME	Q'TY	MATERIAL	PLATING & COLOR



PCB Layout Diagram  
Top View

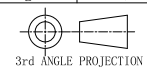
Ordering Code:

BS - S - SI - R - CR2032-2Y  
① ② ③ ④ ⑤

- ① BS: Battery Contacts
- ② Apperance For The Product  
M:SMT TYPE  
S:180 TYPE  
R:90 TYPE
- ③ Contact Plating  
SI:Nickel Plate  
SN:Tin  
G0:Gold Flash  
G1: 3U" Gold  
G2: 5U" Gold  
G3:10U" Gold  
G4:15U" Gold  
G5:30U" Gold
- ④ Packing Method  
A: Tray Packing  
△ B: Bag Packing  
R: Tape & Reel Packing
- ⑤ Product Number  
CR2032-2Y

Unless Otherwise specified tolerance  
X. ±0.35 X.XX: ±0.20  
X.X: ±0.25 X.XXX: ±0.15

SCALE: As Shown UNIT: mm  
DRAW ZLA DATE 21/07/2022  
CHECK BobYang DATE 21/07/2022



**Atkconn**® ATKCONN ELECTRONICS CO., LTD  
[Http://www.atkconn.com](http://www.atkconn.com)

TITLE: BATTERY CONTACTS FOR CR2032

DRAWING NO: BS-S-SI-R-CR2032-2Y  
PRODUCT NO: BS-S-SI-R-CR2032-2Y

REV	DESCRIPTION	DATE
1		
2		
3		
4		
5		