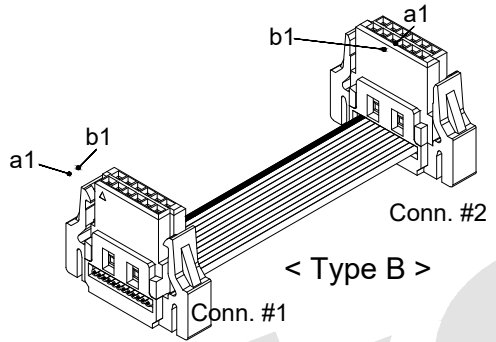
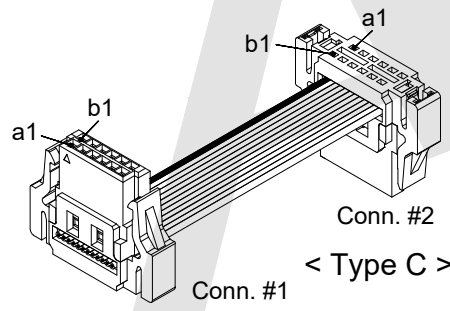


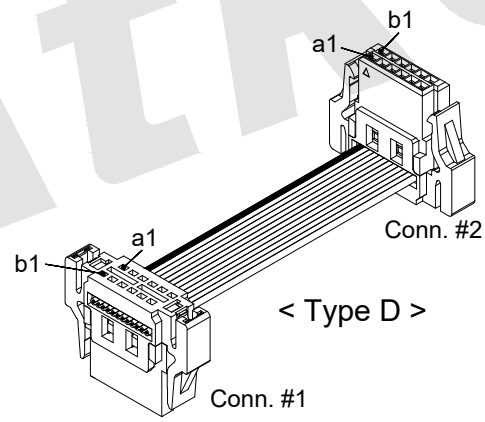
< Type A >



< Type B >



< Type C >



< Type D >

ORDERING CODE:

ATK-SWC01 XX XXXX XX GO B

Connector Series
IDC Female Connector
For 0.635 Pitch Flat Cable

Package: B: Bag

Contact Pos.
See DIM. Pos.

Cable Length EX.
530: 530MM
1000: 1000MM

Contact Plating:

- G0: Gold flash S0: Selective
- G1: 3u" Gold S1: Selective 3u"
- G2: 5u" Gold S2: Selective 5u"
- G3: 10u" Gold S3: Selective 10u"
- G4: 15u" Gold S4: Selective 15u"
- G5: 30u" Gold S5: Selective 30u"
- SN: Tin

Connection Type
A, B, C... (See Drawing)

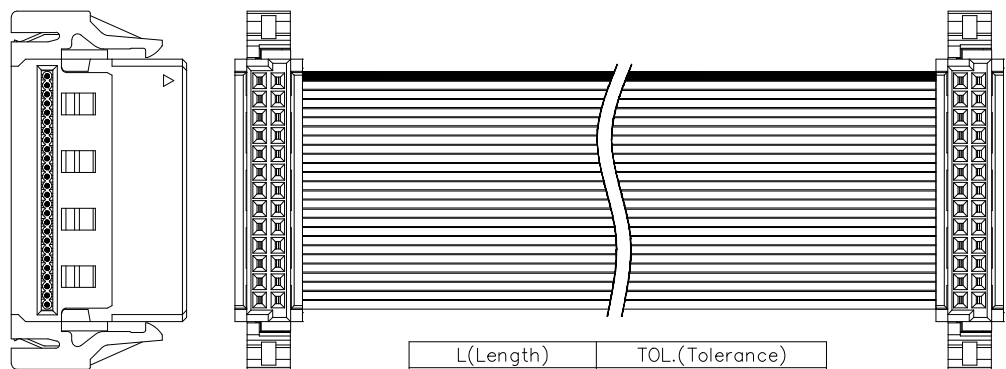
Unless Otherwise specified tolerance
 X. ±0.35 X.XX: ±0.20
 X.X: ±0.25 X.XXX: ±0.15

Atkconn® ATKCONN ELECTRONICS CO., LTD
[Http://www.atkconn.com](http://www.atkconn.com)

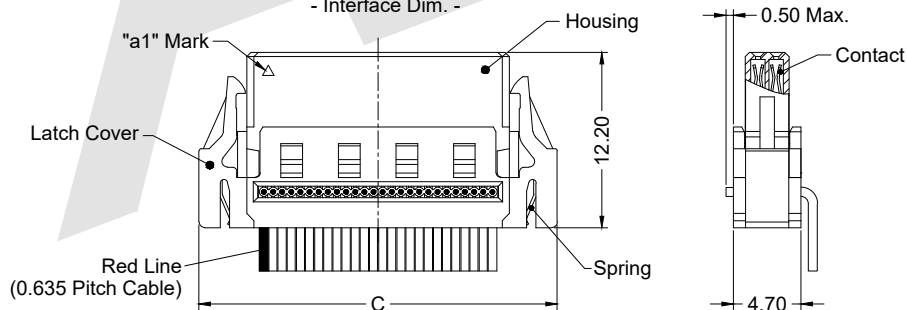
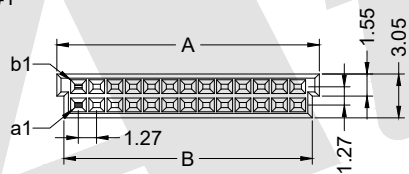
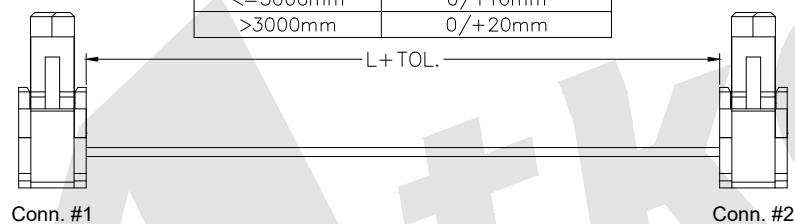
SCALE: As Shown	UNIT: mm
DRAW ZLA	DATE 24/10/2022
CHECK BobYang	DATE 24/10/2022
VER. A0	

TITLE:	1.27 Pitch IDC Female Flat Cable
DRAWING NO:	ATK-SWC01XXXXXXXXXGOB
PRODUCT NO:	ATK-SWC01XXXXXXXXXGOB

REV	DESCRIPTION	DATE
1		
2		
3		
4		
5		



L(Length)	TOL.(Tolerance)
≤1000mm	0/+5mm
≤3000mm	0/+10mm
>3000mm	0/+20mm



Specifications:

Connector:

Housing Material:LCP, UL94V-0
 Latch Cover Material:PA66, UL94V-0
 Contact Material:Copper Alloy
 Spring Material:Stainless
 Contact Plating: Au Over Ni (See Ordering Information)

Cable:

Size:30 AWG
 Outer Diameter:0.66±0.1
 Pitch:0.635MM
 material:PVC
 Voltage-Withstand:150V
 Conductor Resistance:Max:300Ω/KM FT 20° C
 Insulation Resistance:Min:100MΩ/KM FT 20° C
 Max Operating Temp.:-20° C ~ +105° C
Mechanical:
 Mating Force:≤0.5N (Per-Pin)
 Separating Force:≥0.1N (Per-Pin)
 Mating Cycle:500

DIM. TABLE

PIN NO.	DIM A	DIM B	DIM C
12	9.35	8.35	16.00
16	11.89	10.89	18.54
20	14.43	13.43	21.08
26	18.24	17.24	24.89
32	22.05	21.05	28.70
40	27.13	26.13	33.78
50	33.48	32.48	40.13
68	44.91	43.91	51.56
80	58.88	57.88	65.53

Unless Otherwise specified tolerance
 X. ±0.35 X.XX: ±0.20
 X.X: ±0.25 X.XXX: ±0.15

SCALE: As Shown	UNIT: mm
DRAW ZLA	DATE 24/10/2022
CHECK BobYang	DATE 24/10/2022
VER. A0	

Atkconn® ATKCONN ELECTRONICS CO., LTD
[Http://www.atkconn.com](http://www.atkconn.com)

TITLE:
1.27 Pitch IDC Female Flat Cable

DRAWING NO: ATK-SWC01XXXXXXXXXG0B

PRODUCT NO: ATK-SWC01XXXXXXXXXG0B

REV	DESCRIPTION	DATE
1		
2		
3		
4		
5		