



NOTE:

1. ALL INSIDE BEND RADII TO BE A MIN. OF MATERIAL THICKNESS UNLESS OTHERWISE SPECIFIED.

2. PART MUST BE FREE OF ALL BURRS AND SHARP EDGES.

3. MAT'L: 0.254 TH'K FULL HARD PHOSPHOR BRONZE

4. FINISH: NICKEL PLATE

0.00254-0.00762 NICKEL, OVER

0.00127-0.00254 COPPER

5. INDICATES CRITICAL DIMENSION

NOTES:

1. MATERIAL:

0.30mm PHOSPHOR BRONZE, NICKEL PLTD.

2. ROHS 2 COMPLIANT

BS - S - SI - R - CR2032R

① ② ③ ④ ⑤

① BS: Battery Contacts

② Appearance for the product

M: SMT TYPE

S: 180 TYPE

R: 90 TYPE

③ Contact Plating

SI: Nickel Plate

SN: Tin

G0: Gold flash

G1: 3U" Gold

G2: 5U" Gold

G3: 10U" Gold

G4: 15U" Gold

G5: 30U" Gold

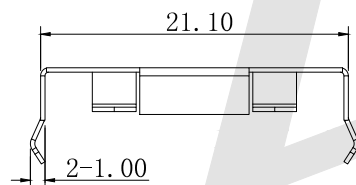
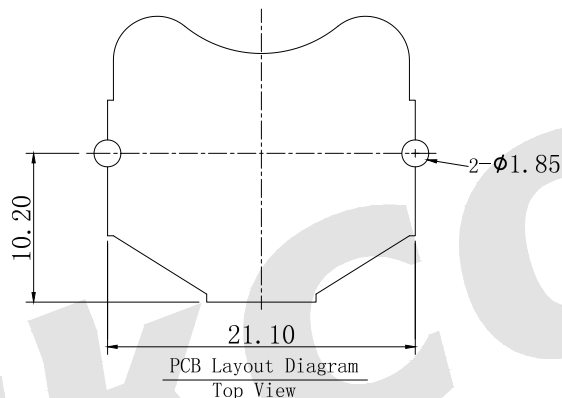
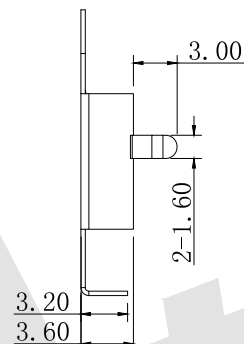
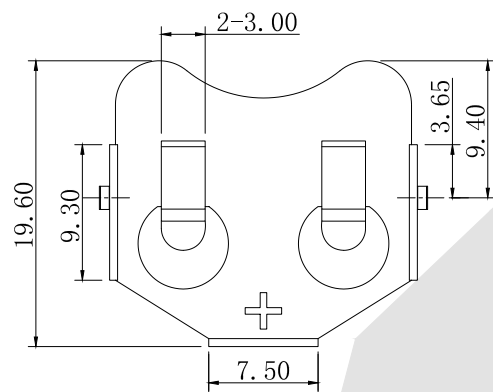
④ Packing method

A: Tray packing

R: Tape & reel packing

⑤ Product number

CR2032R



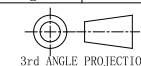
Unless Otherwise specified tolerance

X. ±0.35 X.XX: ±0.20  
X.X.X: ±0.25 X.XXX: ±0.15

SCALE: As Shown UNIT: mm

DRAW ZLA DATE 21/07/2022

CHECK BobYang DATE 21/07/2022



Atkconn® ATKCONN ELECTRONICS CO., LTD  
Http://www.atkconn.com

TITLE: BATTERY CONTACTS FOR CR2032

DRAWING NO: BS-S-SI-R-CR2032R

PRODUCT NO: BS-S-SI-R-CR2032R

REV	DESCRIPTION	DATE
1		
2		
3		
4		
5		