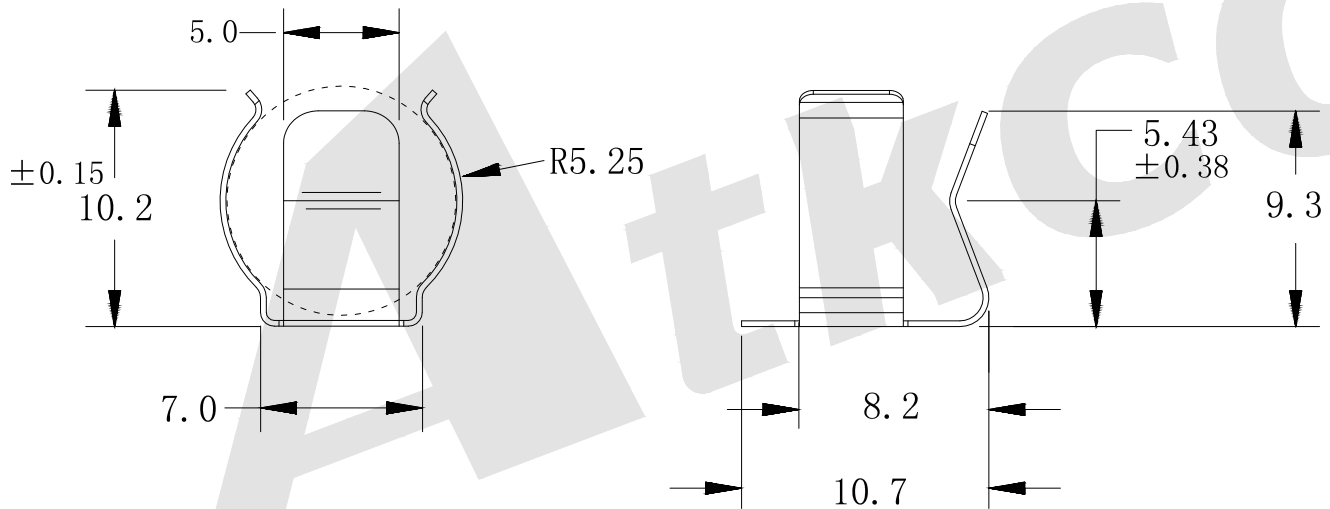
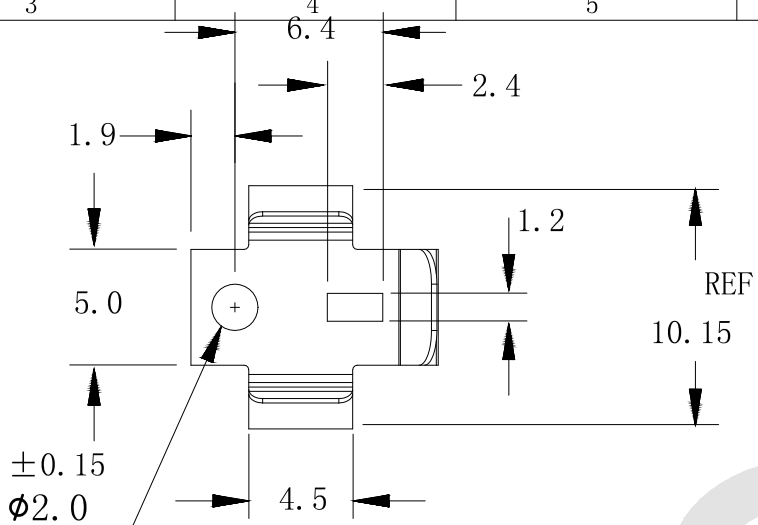
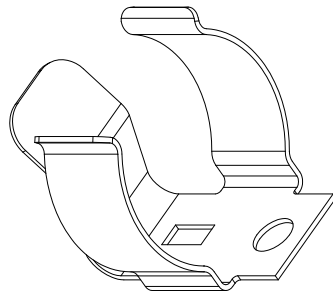


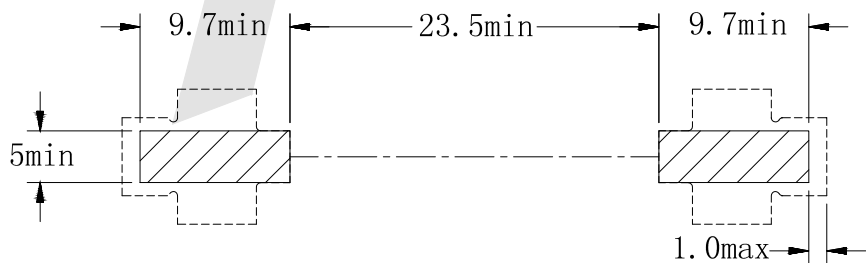
HSF



ROHS



MOUNTING PAD LAYOUT AAA



Also accepts:AAA  
 Material 0.25 Spring stell nickel plated  
 Coating parameters:4um  
 Temperature range:-40° C - 270° C  
 Voltage parameters:270V

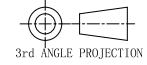
Order code:

BS - S - SI - R - CR159A  
 ① ② ③ ④ ⑤

- ① BS: Battery contacts
- ② Apperance for the product  
 M:SMT TYPE  
 S:180 TYPE  
 R:90 TYPE
- ③ Contact Plating  
 SI: NICKEL Plated  
 SN: Tin  
 G0: Gold flash  
 G1: 3U" Gold  
 G2: 5U" Gold  
 G3: 10U" Gold  
 G4: 15U" Gold  
 G5: 30U" Gold
- ④ Packing method  
 A: Tray packing  
 R: Tape & reel packing
- ⑤ Product number:  
 CR159A

Unless Otherwise specified tolerance  
 X. XX: ±0.20  
 X. X.X: ±0.25 X. XXX: ±0.15  
 X. XX: ±0.35

SCALE: As Shown UNIT: mm  
 DRAW ZLA DATE 21/07/2022  
 CHECK BobYang DATE 21/07/2022



**Atkconn**® ATKCONN ELECTRONICS CO., LTD  
[Http://www.atkconn.com](http://www.atkconn.com)

TITLE: Battery Contacts For CR159A  
 DRAWING NO: BS-S-SI-R-CR159A  
 PRODUCT NO: BS-S-SI-R-CR159A

REV	DESCRIPTION	DATE
1		
2		
3		
4		
5		