

HSF



ROHS

NOTE:

MATERIAL:0.15 STAINLESS STEL FINISH  
GOLD-PLATED

COATING PARAMETERS: 4um

TEPPERAYURE RANGE: -40° C~270° C

VOLTAGE PARAMETERRS : 270V

Order code:

BS	M	SI	R	126
①	②	③	④	⑤

① BS: Battery contacts

② Apperance for the product

M:SMT TYPE

S:180 TYPE

R:90 TYPE

③ Contact Plating

SI: NICKEL Plated

SN: Tin

G0: Gold flash

G1: 3U" Gold

G2: 5U" Gold

G3: 10U" Gold

G4: 15U" Gold

G5: 30U" Gold

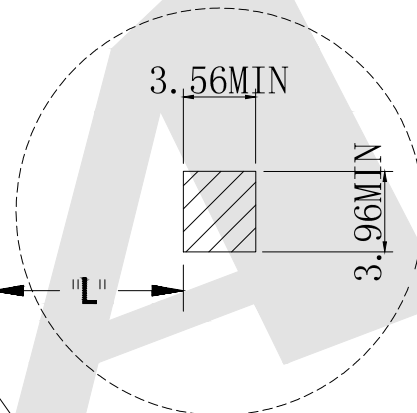
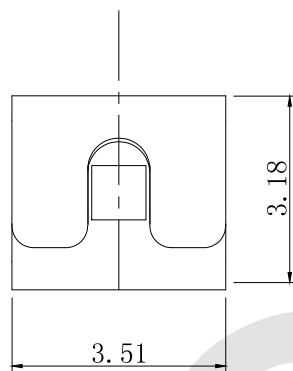
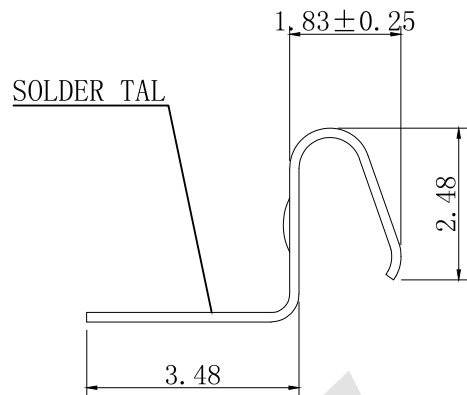
④ Packing method

A: Tray packing

R: Tape & reel packing

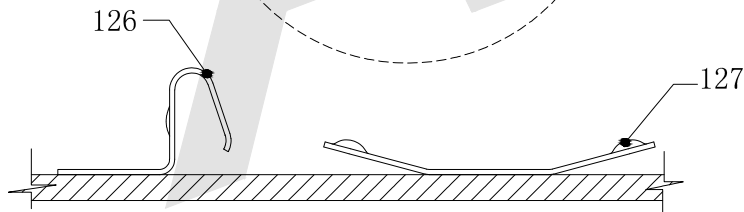
⑤ Product number:

126



MTG LAY OUT WHEN USE WITH127

BATTERY DIA	L
20mm	9.4
24mm	11.4



Unless Otherwise specified tolerance  
 X. ±0.35 X.XX: ±0.20  
 X.X.X: ±0.25 X.XXX: ±0.15

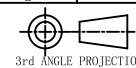
SCALE: As Shown	UNIT: mm
DRAW ZLA	DATE 21/07/2022
CHECK BobYang	DATE 21/07/2022

**Atkconn**® ATKCONN ELECTRONICS CO., LTD  
[Http://www.atkconn.com](http://www.atkconn.com)

TITLE: Battery Contacts 126

DRAWING NO: BS-M-SI-R-126

PRODUCT NO: BS-M-SI-R-126



3rd ANGLE PROJECTION

REV	DESCRIPTION	DATE