

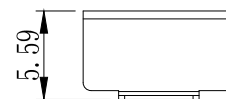
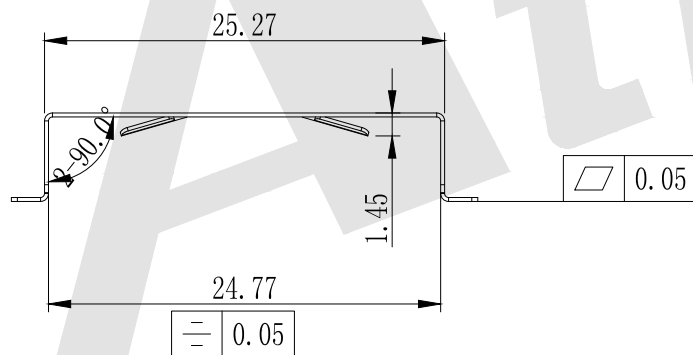
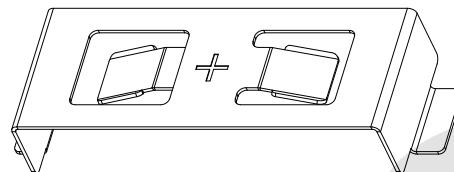
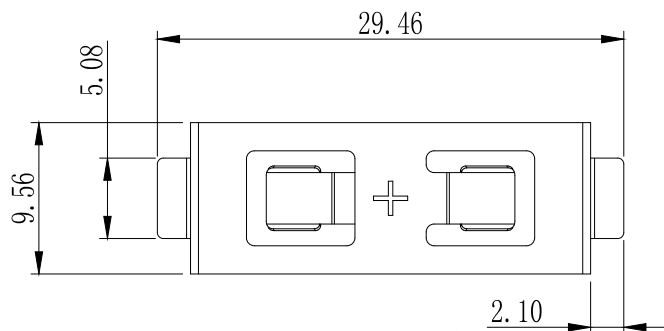
HSF



ROHS

NOTES:

1. MATERIAL: PHOSPHOR BRONZE, T=0.25mm.
2. PLATING:
2005: 50U"~100U" NICKEL OVERALL
3. THIS COMPONENT ARE ROHS2.0 COMPLIANT.



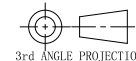
Order Code:

BS - M - SI - A - CR2005
 ① ② ③ ④ ⑤

- ① BS: Battery Contacts
- ② Appearance For The Product
M: SMT TYPE
S: 180 TYPE
R: 90 TYPE
- ③ Contact Plating
SI: Nickel Plate
SN: Tin
G0: Gold Flash
G1: 3U" Gold
G2: 5U" Gold
G3: 10U" Gold
G4: 15U" Gold
G5: 30U" Gold
- ④ Packing Method
A: Tray Packing
R: Tape & Reel Packing
- ⑤ Product Number
CR2005

Unless Otherwise specified tolerance
 X. ±0.35 X.XX: ±0.20
 X.X: ±0.25 X.XXX: ±0.15

SCALE: As Shown UNIT: mm
 DRAW ZLA DATE 21/07/2022
 CHECK BobYang DATE 21/07/2022



Atkconn® ATKCONN ELECTRONICS CO., LTD
[Http://www.atkconn.com](http://www.atkconn.com)

TITLE: Battery Contacts For CR2450

DRAWING NO: BS-M-SI-A-CR2005

PRODUCT NO: BS-M-SI-A-CR2005

REV	DESCRIPTION	DATE
1		
2		
3		
4		
5		