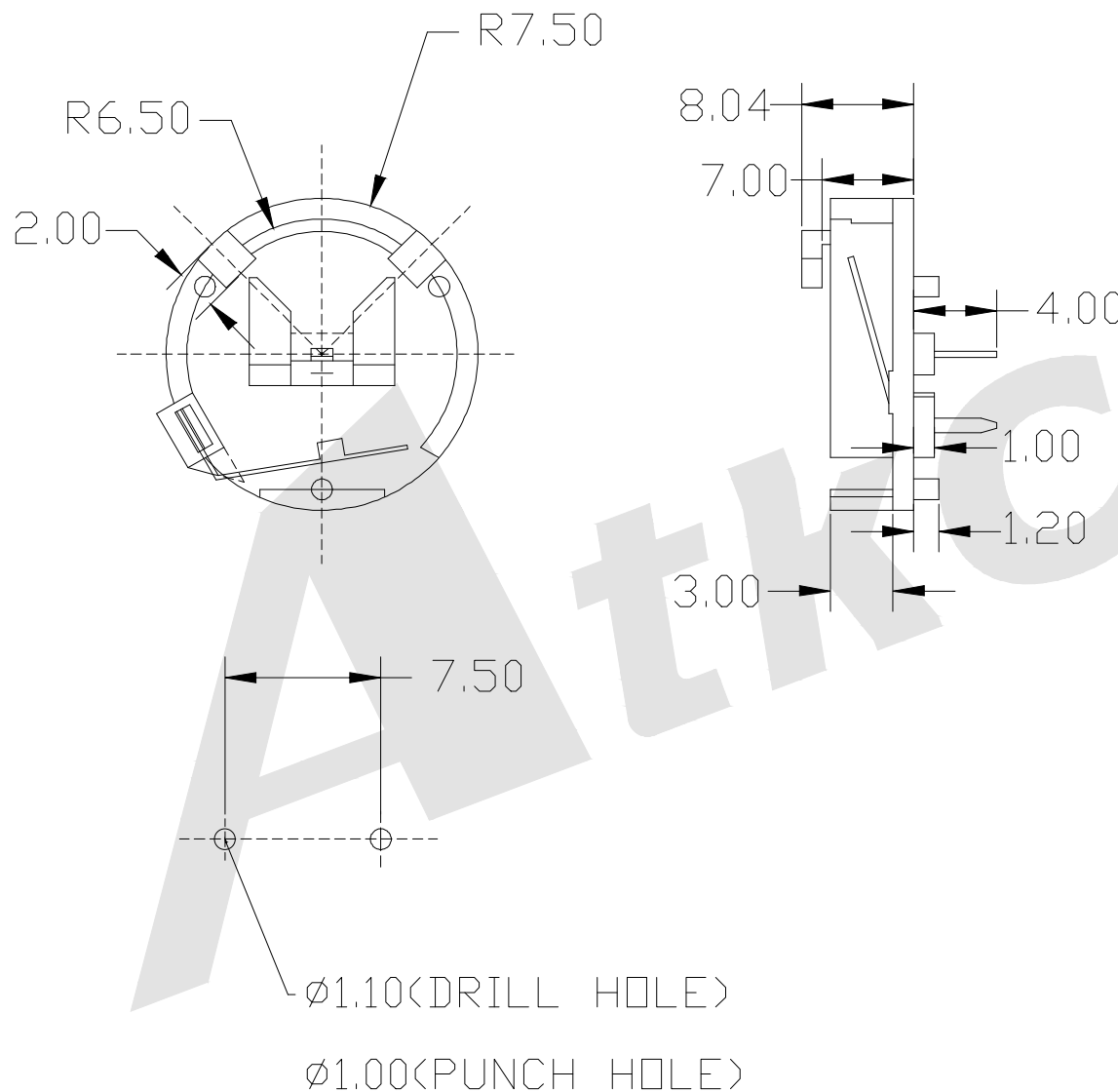


HSF



RoHS



Note:

1. Material:
 - a. Housing:PBTVO+GF BK
 - b. Contact:C5191
 - c. Surface Plating:Sn 10u"
2. Electric:
 - a. Contact Resistance:30 Mlliohms Max.
 - b. Insulation Resistance:1000 Mega Ohms Min.
 - c. Dielectnic Voltage:500 V AC One Sec Level
 - d. Operating Temperature:-55° To +105°

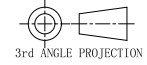
Order code:

BT — S — SN — R — CR1220B
 ① — ② — ③ — ④ — ⑤

- ① BT: Coin Cell Holders
- ② Apperance for the product
M:SMT TYPE
S:180 TYPE
R:90 TYPE
- ③ Contact Plating
SN: Tin
G0: Gold flash
G1: 3U" Gold
G2: 5U" Gold
G3: 10U" Gold
G4: 15U" Gold
G5: 30U" Gold
- ④ Packing method
A: Tray packing
R: Tape & reel packing
- ⑤ Product number
CR1220B

Unless Otherwise specified tolerance
 X. ±0.35 X.XX: ±0.20
 X.X: ±0.25 X.XXX: ±0.15

SCALE: As Shown UNIT: mm
 DRAW ZLA DATE 21/07/2022
 CHECK BobYang DATE 21/07/2022



Atkconn® ATKCONN ELECTRONICS CO., LTD
[Http://www.atkconn.com](http://www.atkconn.com)

TITLE: Coin Cell Holders For CR1220

DRAWING NO: BT-S-SN-R-CR1220B

PRODUCT NO: BT-S-SN-R-CR1220B

REV	DESCRIPTION	DATE
1		
2		
3		
4		
5		