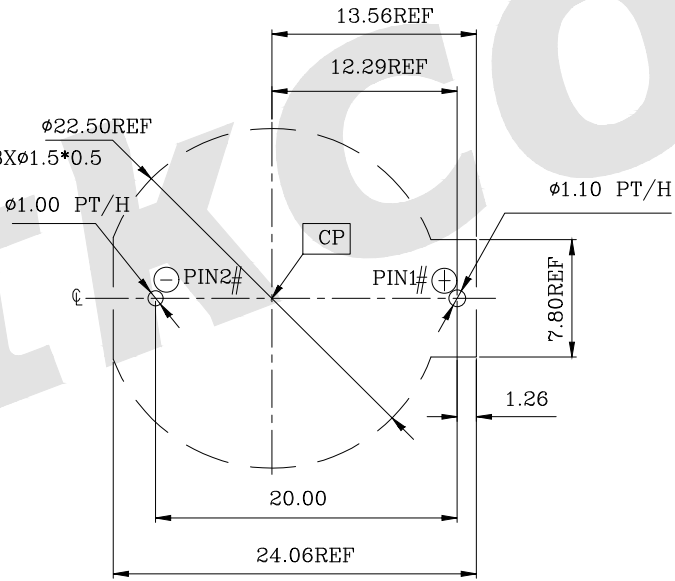
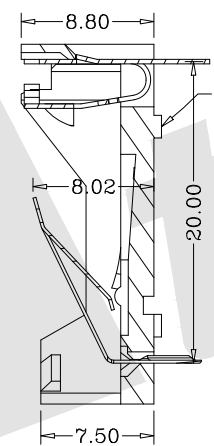
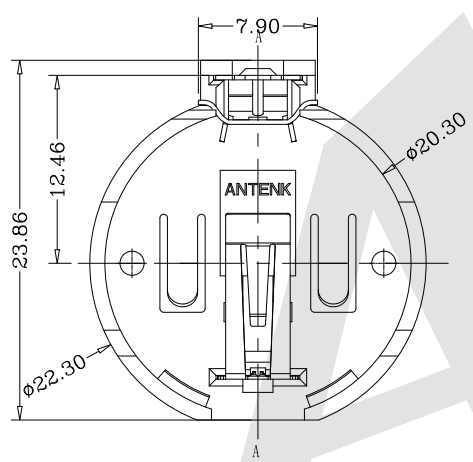
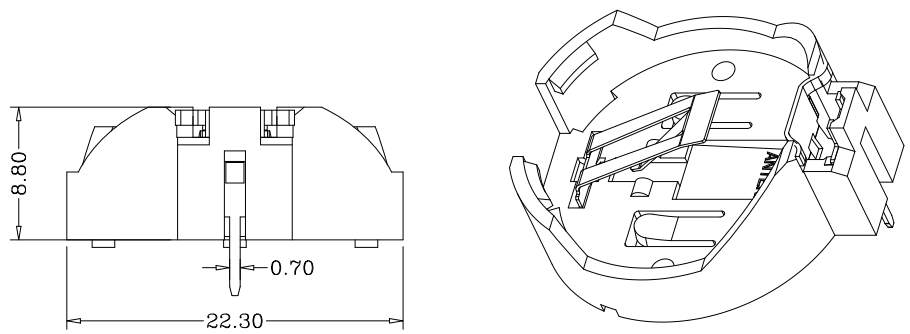




NOTES:

- 1、BASE:
MATERIAL:PA66+30%G.F(UL94V-0) BLACK
- 2、CONTACT:
MATERIAL:POSITIVE POLE T=0.30 THK BRASS C2680,
NEGATIVE POLE T=0.2 THK BRASS C2680;
FINISH:Weldable nickel plated 50u.
- 3.ELECTRIC:
a. CONTACT RESISTANCE:30 MILLIOHMS MAX
b. INSULATION RESISTANCE:1000 MEGA OHMS MIN
c. DIELECTNIC VOLTAGE:500V AC ONE SEC LEVEL
d. OPERATING TEMPERATURE:-25° C TO +85° C



RECOMMENDED PCB LAYOUT(TOP VIEW)

(PCB THICKNESS:T= 1.60mm)(TOLERANCE:±0.05)

Ordering code:

BT - S - SN - B - A - 029
 ① ② ③ ④ ⑤ ⑥

- ① BT: Coin Cell Holders
- ② Appearance for the product
M: SMT TYPE
S: 180 TYPE
R: 90 TYPE
- ③ Contact Plating
SN: Tin
G0: Gold flash
G1: 1U" Gold
G5: 5U" Gold
G10: 10U" Gold
G15: 15U" Gold
G30: 30U" Gold
- ④ Have/No Post
A: Have Post
B: NO Post
- ⑤ Packing method
A: Tray B: Bag
R: Tape & reel
- ⑥ Product number
029

Unless Otherwise specified tolerance
 X. ±0.35 X.XX: ±0.20
 X.X: ±0.25 X.XXX: ±0.15

SCALE: As Shown UNIT: mm
 DRAW: ZLA DATE: 21/07/2022
 CHECK: BobYang DATE: 21/07/2022

Atkconn® ATKCONN ELECTRONICS CO., LTD
[Http://www.atkconn.com](http://www.atkconn.com)

TITLE:
Coin Cell Holders For CR2032 THM
 DRAWING NO: BT-S-SN-B-A-029
 PRODUCT NO: BT-S-SN-B-A-029

REV	DESCRIPTION	DATE
1		
2		
3		
4		
5		

