

HSF



ROHS

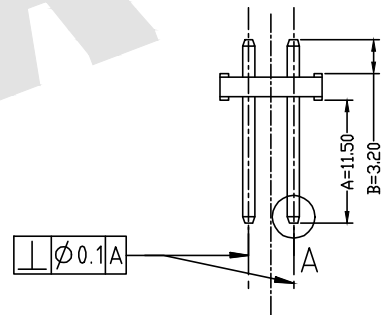
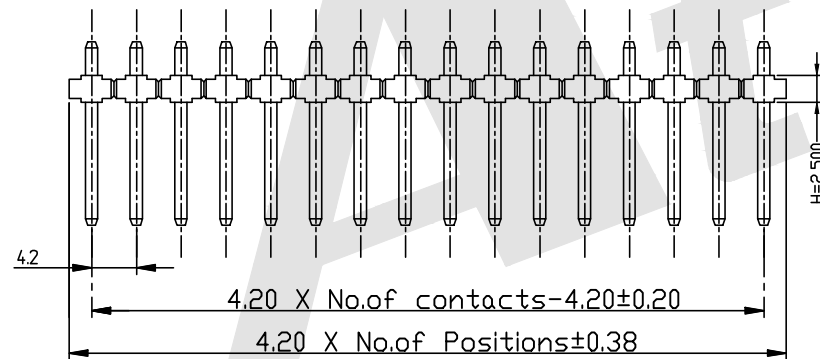
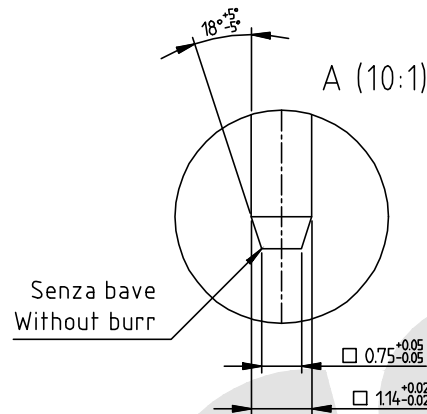
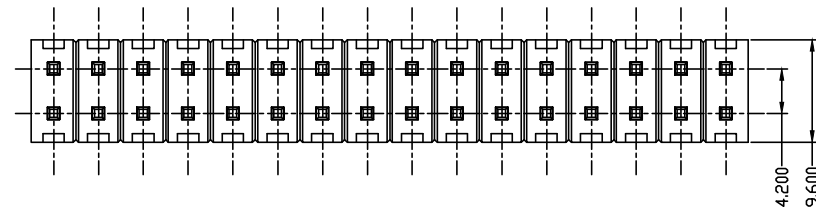
### SPECIFICATION

Current Rating: 7 Amp  
 Insulation Resistance: 1000M ohms min  
 Contact Resistance: 20m ohms max  
 Dielectric Withstanding: AC500V  
 Operating Temperature: -65° C to +125° C  
 Contact Material: Brass  
 Insulator Material: LCP, UL 94V-0 Black

Ordering Code:

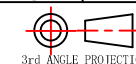
PHHS01 - X - X - D - A-B - X - X  
 ① ② ③ ④ ⑤ ⑥ ⑦

- ① Series No:
- ② No. of Contacts  
02 To 40
- ③ Contact Plating:  
 G0:Gold flash S0:Selective  
 G1:3U" Gold S1:Selective 3u"  
 G2:5u" Gold S2:Selective 5u"  
 G3:10u" Gold S3:Selective 10u"  
 G4:15u" Gold S4:Selective 15u"  
 G5:30u" Gold S5:Selective 30u"  
 SN:Tin
- ④ Connector Type  
D: Dual
- ⑤ Pin Length:  
 A:1150=11.50mm  
 B:0320=3.20mm  
 Please mark the desired length in the A/B
- ⑥ Insulator Material  
 B:PA6T  
 C:LCP  
 E:PA9T
- ⑦ Packing:  
 A:Tray  
 B:Bag  
 T:Tube  
 U:Tube+CAP  
 R:Tape&Reel  
 W:Tape&Reel+CAP



Unless Otherwise specified tolerance  
 X. ±0.35 X.XX: ±0.20  
 X.X: ±0.25 X.XXX: ±0.15

SCALE: As Shown	UNIT: mm
DRAW ZLA	DATE 24/04/2022
CHECK BobYang	DATE 24/04/2022



**Atkconn**® ATKCONN ELECTRONICS CO., LTD  
[Http://www.atkconn.com](http://www.atkconn.com)

TITLE:  
4.2 Pin Header DUAL ROW STRAIGHT TYPE

DRAWING NO: PHHS01-XXD-1150-0320-XX

PRODUCT NO: PHHS01-XXD-1150-0320-XX

REV	DESCRIPTION	DATE