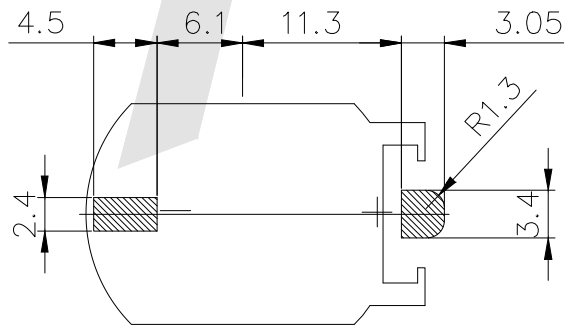
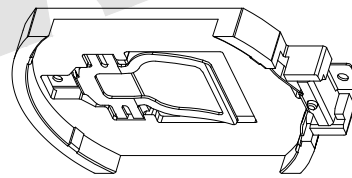
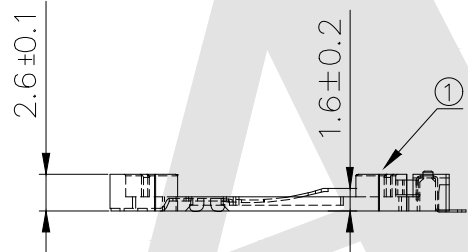
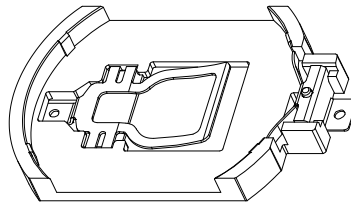
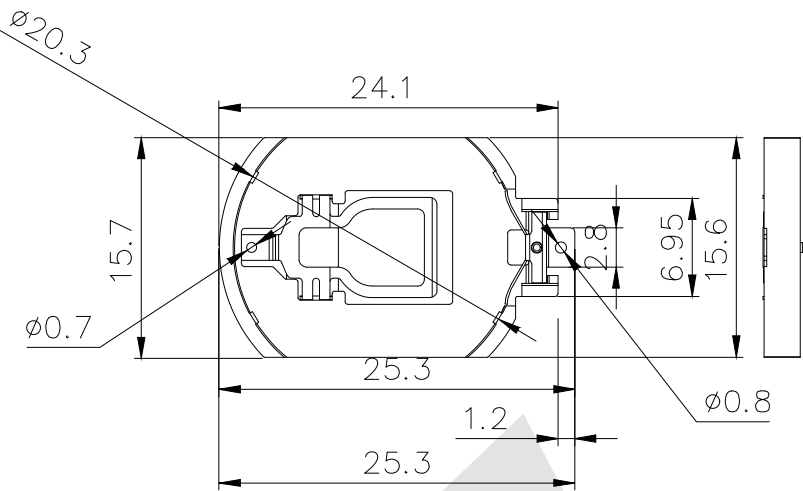


HSF



RoHS



NOTE:

1. BASE:

MAT'L:GLASS FILED LCP UL 94V-0

2. CONTACTS:

MAT'L:0.15mm TH'K PHOSPHOR BRONZE
FINISH:GOLD PLATED OR TIN PLATED,
OVER NICKEL PLATE

3. ELECTRIC:

- a. CONTACT RESISTANCE:30 MILLIOHMS MAX
- b. INSULATION RESISTANCE:1000 MEGA OHMS MIN
- c. DIELECTNIC VOLTAGE:500V AC ONE SEC LEVEL
- d. OPERATING TEMPERATURE:-55° C TO +105° C

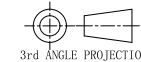
Order code:

BT — M — G0 — R — CR2016A
① — ② — ③ — ④ — ⑤

- ① BT: Coin Cell Holders
- ② Apperance for the product
- M: SMT TYPE
- S: 180 TYPE
- R: 90 TYPE
- ③ Contact Plating
SN: Tin
G0: Gold flash
G1: 3U" Gold
G2: 5U" Gold
G3: 10U" Gold
G4: 15U" Gold
G5: 30U" Gold
- ④ Packing method
A: Tray packing
R: Tape & reel packing
- ⑤ Product number
CR2016A

Unless Otherwise specified tolerance
X. ±0.35 X.XX:±0.20
X.X:±0.25 X.XXX:±0.15

SCALE: As Shown	UNIT: mm
DRAW ZLA	DATE 21/07/2022
CHECK BobYang	DATE 21/07/2022



Atkconn® ATKCONN ELECTRONICS CO., LTD
[Http://www.atkconn.com](http://www.atkconn.com)

TITLE: Coin Cell Holders For CR2016

DRAWING NO: BT-M-GO-R-CR2016A

PRODUCT NO: BT-M-GO-R-CR2016A

REV DESCRIPTION DATE