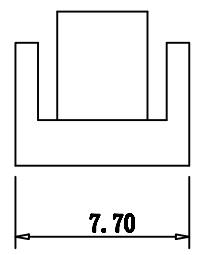
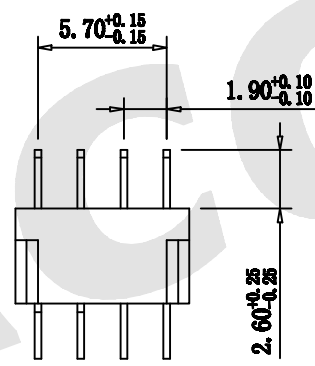
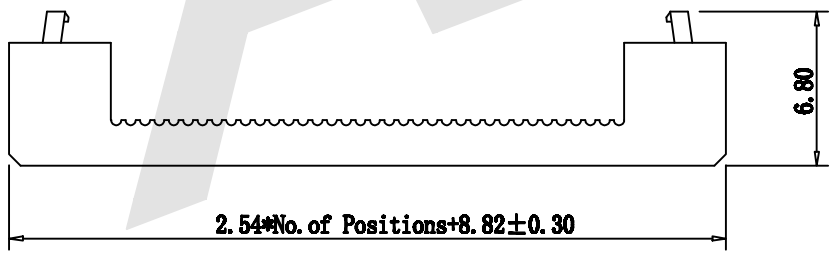
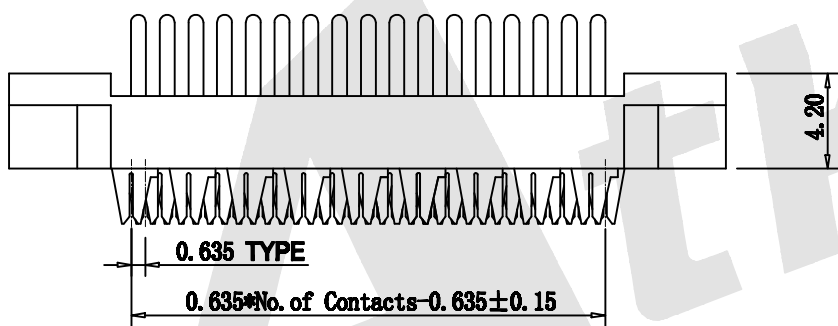
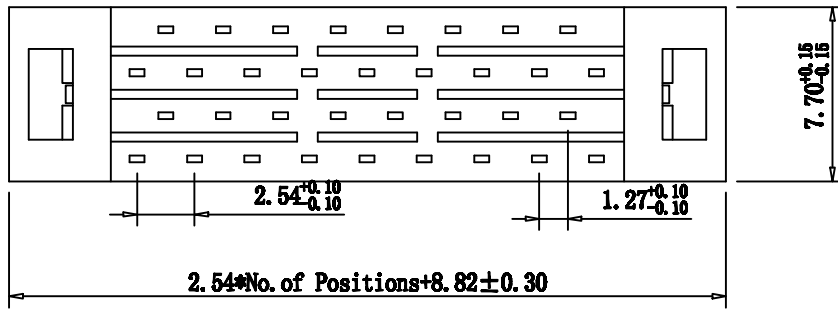


A  
B  
C  
D



**SPECIFICATION**  
 Current Rating: 1.0Amp  
 Insulation Resistance: 1000MΩ min  
 Contact Resistance: 20mΩ max  
 Withstand Voltage: 500V AC/DC  
 Operating Temperature: -40° C to +105° C  
 Contact Material: Brass  
 Contact Plating: Au or Sn Over Ni  
 Insulator Material: PBT+30%GF UL 94V-0

**Ordering Code:**  
 FDAS02 - X - X - X - X  
 ① ② ③ ④ ⑤

- ① Series No:
- ② No. of Contacts
 

10	14	16
18	20	24
26	30	34
40	44	50
60	80	100
- ③ Contact Plating
 

G0: Gold flash	S0: Gold flash/Ni
G1: 3u" Gold	S1: 3u" Gold/Ni
G2: 5u" Gold	S2: 5u" Gold/Ni
G3: 10u" Gold	S3: 10u" Gold/Ni
G4: 15u" Gold	S4: 15u" Gold/Ni
G5: 30u" Gold	S5: 30u" Gold/Ni
SN: Tin	
- ④ Color Insulator  
 B:Black  
 G:Grey
- ⑤ Packing  
 A:Tray  
 B:Bag  
 C:Tube  
 D:Tape Reel

Unless Otherwise specified tolerance  
 I. ±0.35 I. XI: ±0.20  
 I. X: ±0.25 I. XXX: ±0.15

**Atkonn**® ATKCONN ELECTRONICS CO., LTD  
[Http://www.atkonn.com](http://www.atkonn.com)

SCALE: As Shown UNIT: mm  
 DRAW ZLA DATE 24/06/2022  
 CHECK BobYang DATE 24/06/2022

TITLE: 1.27mm DIP Plug Connector Four Row Foot  
 (Terminated Height7.0)



DRAWING NO: FDAS02-XXXX  
 PRODUCT NO: FDAS02-XXXX

REV	DESCRIPTION	DATE
1		
2		
3		
4		
5		

7 8