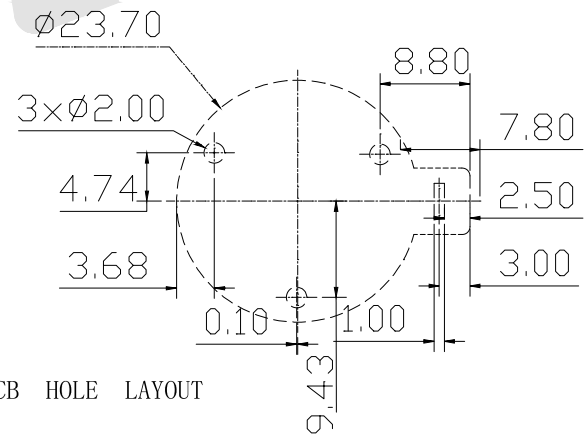
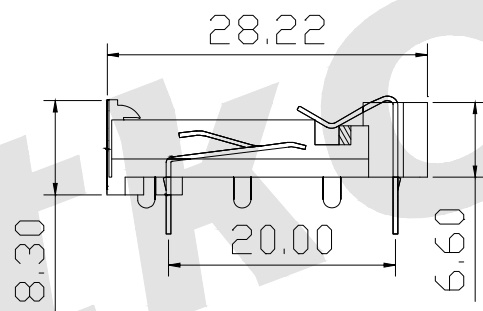
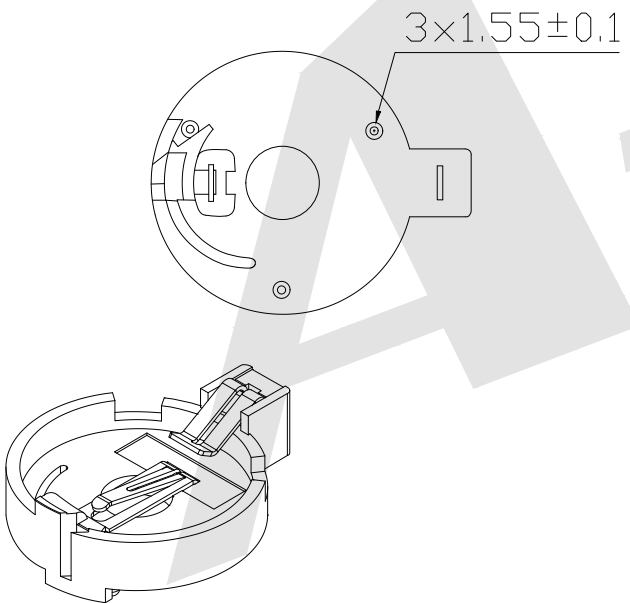
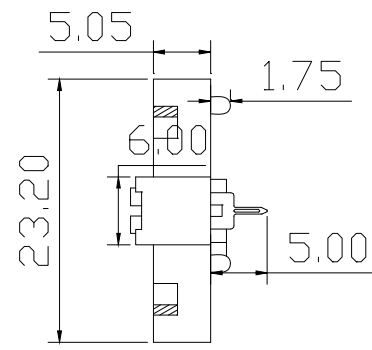
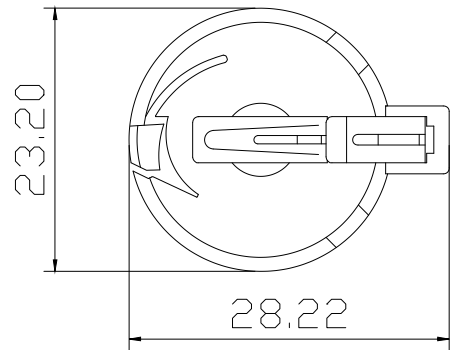


HSF



ROHS



PCB HOLE LAYOUT

NOTE:

MATERIAL:

- 1. Housing: PA Black Vo GF30.15
- 2. Contact: C2680 (Surface Plating: sn 10u")

ELECTRIC:

- 1. Contact resistance :30 milliohms max
- 2. Insulation resistance:1000 mega ohms min
- 3. Dielectnic voltage:500V AC one sec level
- 4. Operating temperature:-55°C to105°C

Ordering Code:

BT - S - SN - A - CR2032C
 ① ② ③ ④ ⑤

- ① BT: Coin Cell Holders
- ② Apperance for the product
M:SMT TYPE
S:180 TYPE
R:90 TYPE
- ③ Contact Plating
SN: Tin
G0: Gold flash
G1: 3U" Gold
G2: 5U" Gold
G3: 10U" Gold
G4: 15U" Gold
G5: 30U" Gold
- ④ Packing method
A: Tray packing
R: Tape & reel packing
- ⑤ Product number
CR2032C

Unless Otherwise specified tolerance
 X. ±0.35 X.XX: ±0.20
 X.X: ±0.25 X.XXX: ±0.15

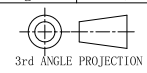
SCALE: As Shown	UNIT: mm
DRAW ZLA	DATE 21/07/2022
CHECK BobYang	DATE 21/07/2022

Atkconn® ATKCONN ELECTRONICS CO., LTD
[Http://www.atkconn.com](http://www.atkconn.com)

TITLE: Coin Cell Holders For CR2032

DRAWING NO: BT-S-SN-A-CR2032C

PRODUCT NO: BT-S-SN-A-CR2032C



REV	DESCRIPTION	DATE
1		
2		
3		
4		
5		