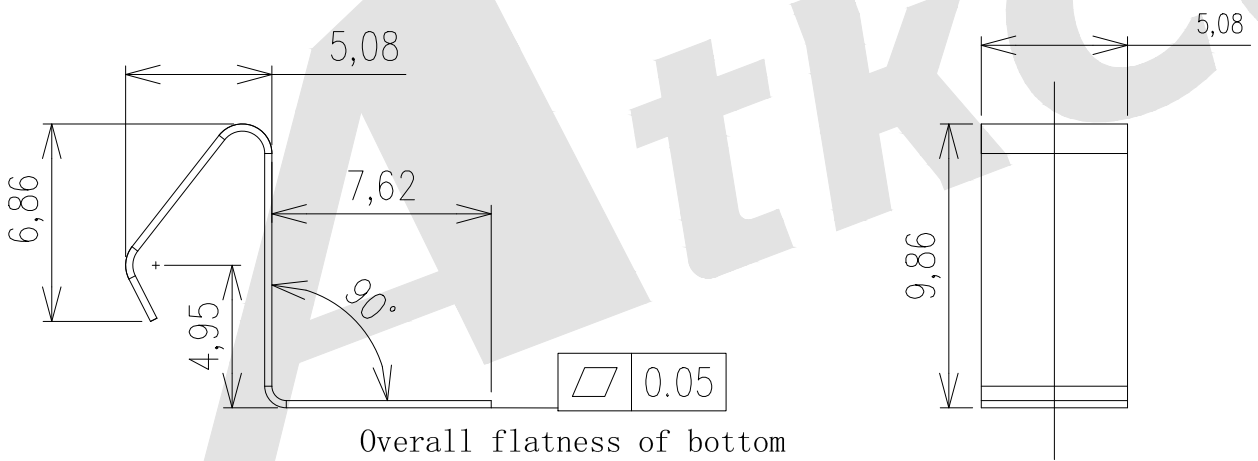
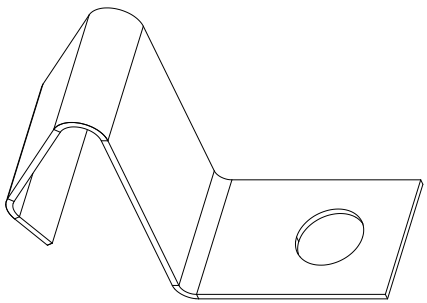
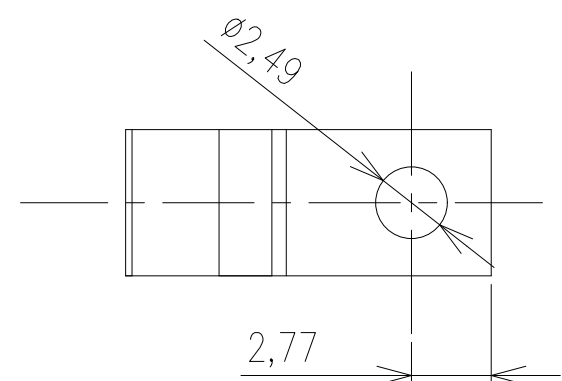


HSF



ROHS



Overall flatness of bottom surface of shell.

All bending and forming shall be adjustable.

NOTES:

- 1. MATERIAL: ANNEALED SPRING STEEL, T=0.25mm.
- 2. PLATING:  
80U" Min TIN PLATED OVERALL  
50U" Min NICKEL PLATED UNDER OVERALL

Order code:

BS - M - SN - X - 5230  
 ①      ②      ③      ④      ⑤

- ① BS: Battery Contacts
- ② Apperance for the product  
M: SMT TYPE  
S: 180 TYPE  
R: 90 TYPE
- ③ Contact Plating  
SI: NICKEL PLATE  
SN: Tin  
G0: Gold flash  
G1: 3u" Gold  
G2: 5u" Gold  
G3: 10u" Gold  
G4: 15u" Gold  
G5: 30u" Gold
- ④ Packing method  
A: Tray packing  
R: Tape & reel packing  
B: Bag packing
- ⑤ Product number  
5230: 5230 STYLE

Unless Otherwise specified tolerance  
 X. ±0.35      X.XX: ±0.20  
 X.X: ±0.25    X.XXX: ±0.15

SCALE: As Shown      UNIT: mm  
 DRAW ZLA      DATE 21/07/2022  
 CHECK BobYang      DATE 21/07/2022



**Atkconn**® ATKCONN ELECTRONICS CO., LTD  
[Http://www.atkconn.com](http://www.atkconn.com)

TITLE: Cell Battery Contacts 5230

DRAWING NO: BS - M - SI - X - 5230

PRODUCT NO: BS - M - SI - X - 5230

REV	DESCRIPTION	DATE
1		
2		
3		
4		
5		