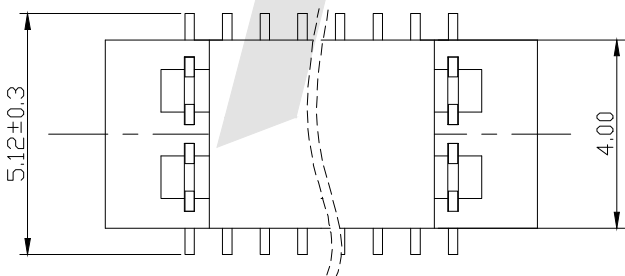
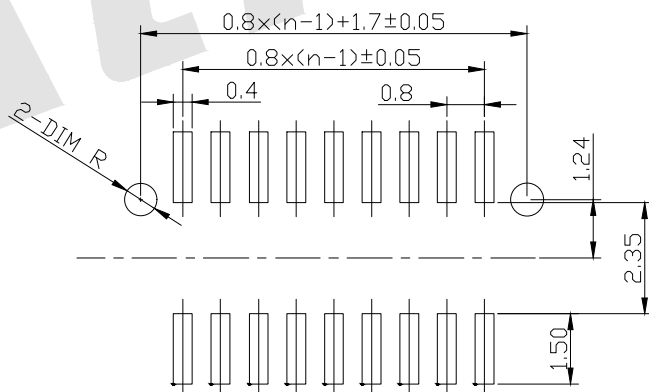
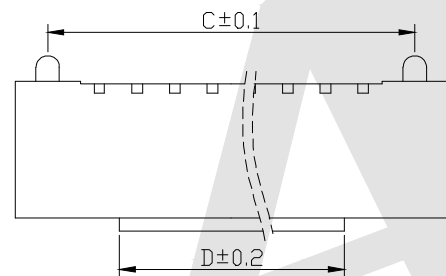
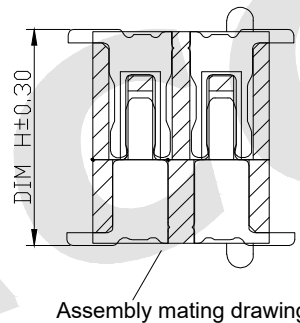
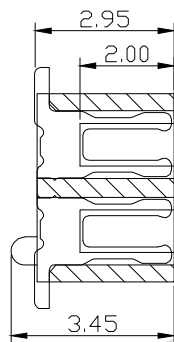
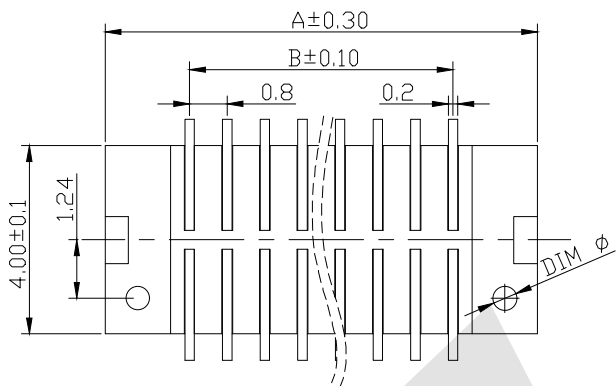




NO.	DIM-A	DIM-B	DIM-C	DIM-D	NO.	DIM-A	DIM-B	DIM-C	DIM-D
04	6.00	2.40	4.60		28	25.20	21.60	23.80	10.00
05	6.80	3.20	5.40		29	26.00	22.40	24.60	10.00
06	7.60	4.00	6.20		30	26.80	23.20	25.40	10.00
07	8.40	4.80	7.00		31	27.60	24.00	26.20	10.00
08	9.20	5.60	7.80		32	28.40	24.80	27.00	10.00
09	10.00	6.40	8.60		33	29.20	25.60	27.80	10.00
10	10.80	7.20	9.40	7.50	34	30.00	26.40	28.60	10.00
11	11.60	8.00	10.20	7.50	35	30.80	27.20	29.40	10.00
12	12.40	8.80	11.00	7.50	36	31.60	28.00	30.20	10.00
13	13.20	9.60	11.80	7.50	37	32.40	28.80	31.00	10.00
14	14.00	10.40	12.60	7.50	38	33.20	29.60	31.80	10.00
15	14.80	11.20	13.40	7.50	39	34.00	30.40	32.60	10.00
16	15.60	12.00	14.20	7.50	40	34.80	31.20	33.40	10.00
17	16.40	12.80	15.00	7.50	41	35.60	32.00	34.20	10.00
18	17.20	13.60	15.80	7.50	42	36.40	32.80	35.00	10.00
19	18.00	14.40	16.60	7.50	43	37.20	33.60	35.80	10.00
20	18.80	15.20	17.40	7.50	44	38.00	34.40	36.60	10.00
21	19.60	16.00	18.20	7.50	45	38.80	35.20	37.40	10.00
22	20.40	16.80	19.00	7.50	46	39.60	36.00	38.20	10.00
23	21.20	17.60	19.80	7.50	47	40.40	36.80	39.00	10.00
24	22.00	18.40	20.60	7.50	48	41.20	37.60	39.80	10.00
25	22.80	19.20	21.40	10.00	49	42.00	38.40	40.60	10.00
26	23.60	20.00	22.20	10.00	50	42.80	39.20	41.40	10.00
27	24.40	20.80	23.00	10.00					



Electrical
 Current Rating:0.5A
 Voltage Rating:50V AC/DC
 Contact Resistance:50milliohm Max
 Insulation Resistance:100Megohm Min
 Operation Temperature:-20°C to +105°C

Housing Material:PA9T+30%G.F(UL94V-0)
 Contact Material:Phosphor Btonze
 Contact plating:Au or Sn over Ni

Ordering Code:

BB0.8 - F - X - X - X - X - X - X - 05△

① ② ③ ④ ⑤ ⑥ ⑦ ⑧ ⑨

- ① Series NO:
0.8mm Board to Board connector
- ② M:Male F:Female
- ③ Mating height:
DIM H:4.0=4.0mm
DIM H:5.0=5.0mm
- ④ No of contacts per row:
see table
For example
04:04poles
- ⑤ Contact Plating
G0: Gold flash
G1: 3u" Gold
G2: 5u" Gold
G3: 10u" Gold
G4: 15u" Gold
G5: 30u" Gold
SN:Tin
- ⑥ Packing
T:Tube A:Tray
B:Bag U:Tube+CAP
R:tape&Reel
W:tape&Reel+CAP
- ⑦ locating pegs type
A:without locating pegs :
DIM Ø=0.50mm
PCB DIM R=0.70mm
BL:with large locating pegs
DIM Ø=0.60mm
PCB DIM R=0.80mm
- ⑧ W: with protect cap
WT: without protect cap
- ⑨ serial number: 05 △

Unless Otherwise specified tolerance
 X. ±0.35 X.XX:±0.20
 X.X:±0.25 X.XXX:±0.15

SCALE: As Shown	UNIT: mm
DRAW ZLA	DATE 24/10/2022
CHECK BobYang	DATE 24/10/2022
VER. A0	

Atkconn® ATKCONN ELECTRONICS CO., LTD
[Http://www.atkconn.com](http://www.atkconn.com)

TITLE: 0.8mm Board to board connector, female,
 double groove, mating height=4.0-5.0mm

DRAWING NO: BB0.8F-XXXXXX05

PRODUCT NO: BB0.8F-XXXXXX05

REV	DESCRIPTION	DATE