

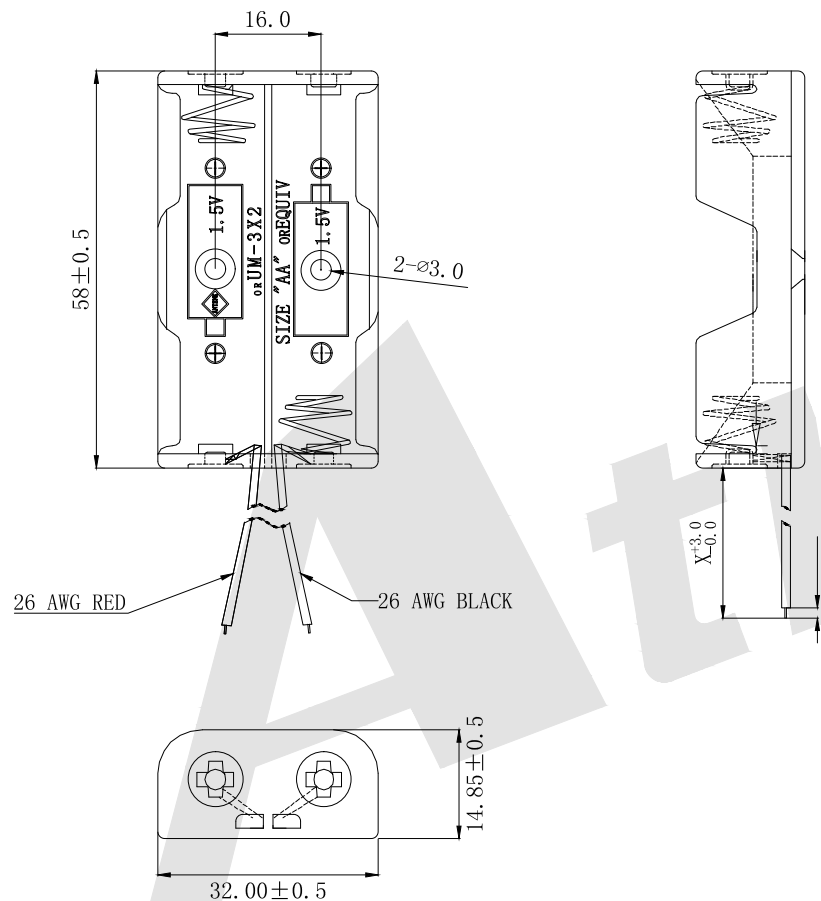


- 1. HOLDER MAT' L: POLYPROPYLENE  
SPRING MAT' L: MUSIC WIRE, (0.60) DIA.  
FINISH: NICKEL PLATE
- 2. WIRE SPEC: 1007 26# AWG UL/CSA,  
RED/BLACK, stripped with Tin plated

Ordering Code:

BBA - 5 - 2 - X - B  
 ①      ②      ③      ④      ⑤

- ① BBA: Battery Holders
- ② BATTERY TYPE  
5: AA SIZE
- ③ BATTERY NUMBERS  
2: 2 Pieces
- ④ Wire Length X  
For example:  
150=150mm
- ⑤ Packing  
A: TRAY      B: BAG



Unless Otherwise specified tolerance  
 X.  $\pm 0.35$       X. XX:  $\pm 0.20$   
 X. X:  $\pm 0.25$       X. XXX:  $\pm 0.15$

**Atkconn**® ATKCONN ELECTRONICS CO., LTD  
[Http://www.atkconn.com](http://www.atkconn.com)

SCALE: As Shown	UNIT: mm
DRAW ZLA	DATE 21/07/2022
CHECK BobYang	DATE 21/07/2022

TITLE: 2 PIECES AA Battery Holders

DRAWING NO: BBA-5-2-X-B

PRODUCT NO: BBA-5-2-X-B



REV	DESCRIPTION	DATE
1		
2		
3		
4		
5		