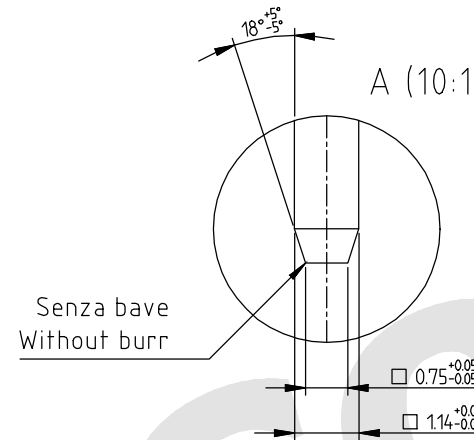
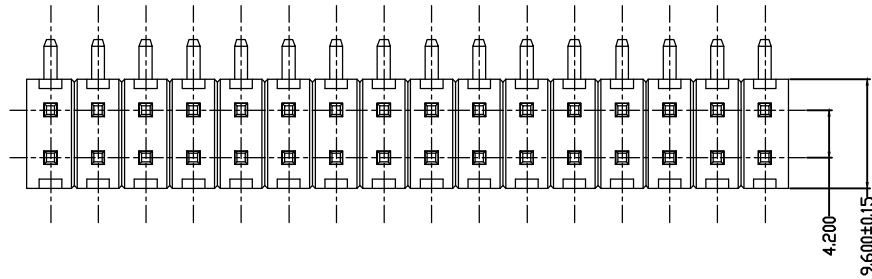




ROHS



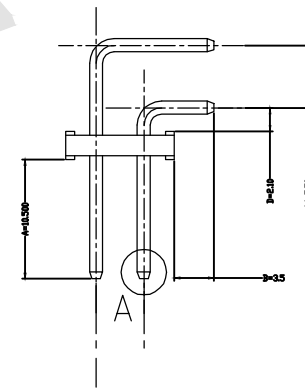
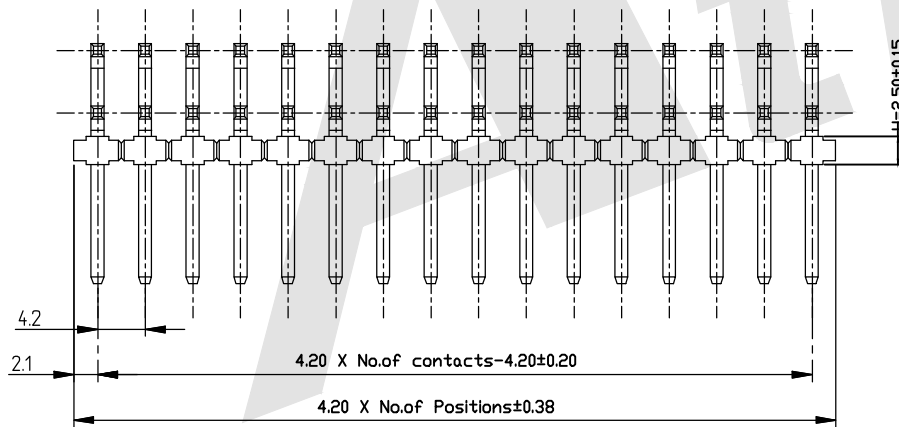
### SPECIFICATION

Current Rating: 7 Amp  
 Insulation Resistance: 1000M ohms min  
 Contact Resistance: 20m ohms max  
 Dielectric Withstanding: AC500V  
 Operating Temperature: -65° C to +125° C  
 Contact Material: Brass  
 Insulator Material: LCP, UL 94V-0 Black

Ordering Code:

PHHR01 - X - X - D - A-D-B-W - X - X  
 ① ② ③ ④ ⑤ ⑥ ⑦

- ① Series No:
- ② No. of Contacts  
02 To 40
- ③ Contact Plating:  
G0:Gold flash S0:Selective  
G1:3u" Gold S1:Selective 3u"  
G2:5u" Gold S2:Selective 5u"  
G3:10u" Gold S3:Selective 10u"  
G4:15u" Gold S4:Selective 15u"  
G5:30u" Gold S5:Selective 30u"  
SN:Tin
- ④ Connector Type  
D: Dual
- ⑤ Pin Length:  
A:1050=10.50mm  
D:0210=2.10mm  
B:0350=3.50mm  
W:0550=5.50mm  
Please mark the desired length in the A/D/B/W
- ⑥ Insulator Material  
B:PA6T  
C:LCP  
E:PA9T
- ⑦ Packing:  
A:Tray  
B:Bag  
T:Tube  
U:Tube+CAP  
R:Tape&Reel  
W:Tape&Reel+CAP

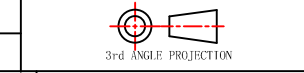


Unless Otherwise specified tolerance  
 X. ±0.35 X.XX: ±0.20  
 X.X: ±0.25 X.XXX: ±0.15

**Atkconn**® ATKCONN ELECTRONICS CO., LTD  
[Http://www.atkconn.com](http://www.atkconn.com)

SCALE: As Shown UNIT: mm  
 DRAW ZLA DATE 24/04/2022  
 CHECK BobYang DATE 24/04/2022

TITLE: 4.20 Pin Header DUAL ROW ANGLE TYPE



DRAWING NO: PHHR01-XXD-1050-0210-0350-0550-XX  
 PRODUCT NO: PHHR01-XXD-1050-0210-0350-0550-XX

REV	DESCRIPTION	DATE