



NOTE:

- 1, Material:
 - a. Housing: PA BK V0 GF30.15
 - b. Contact: C2680
(Surface Plating: Sn 10u")
See Ordering Information
- 2, Electric:
 - a. Contact Resistance: 30 Milliohms Max
 - b. Insulation Resistance: 1000 MEGA OHMS Min
 - c. Dielectric Voltage: 500V AC One Sea Level
 - d. Operating Temperature: -55° To 105°

Order code:

BT - S - SN - R - CR2430D

①	②	③	④	⑤
---	---	---	---	---

① BT: Coin Cell Holders ③ Contact Plating

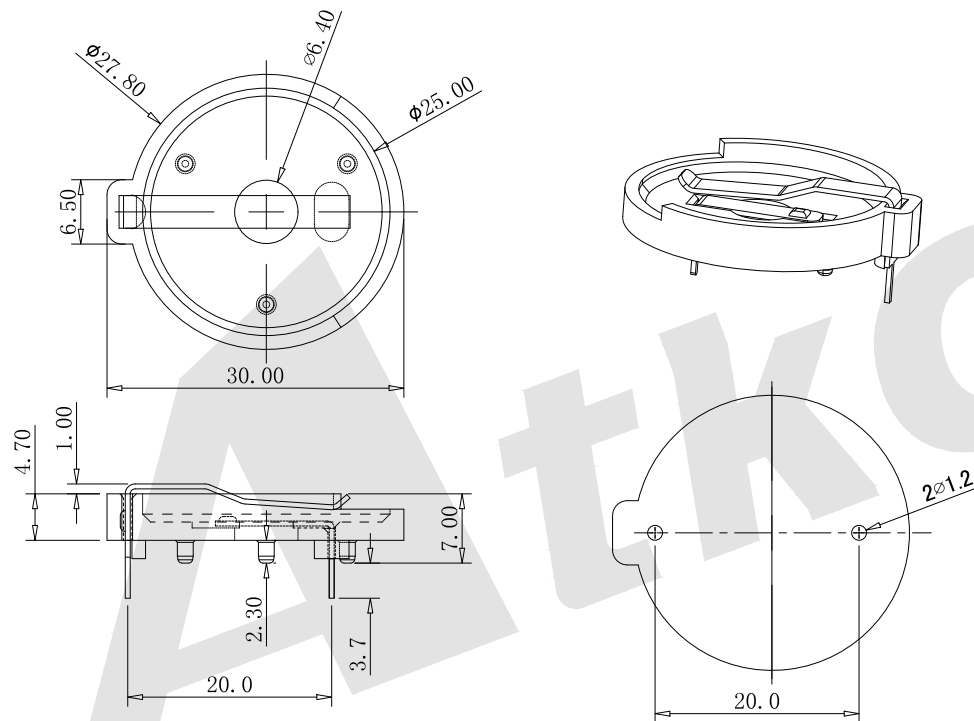
② Appearance for the product

M: SMT TYPE
S: 180 TYPE
R: 90 TYPE

SN: Tin
G0: Gold flash
G1: 3U" Gold
G2: 5U" Gold
G3: 10U" Gold
G4: 15U" Gold
G5: 30U" Gold

④ Packing method
A: Tray packing
R: Tape & reel packing

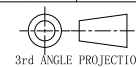
⑤ Product number
CR2430D



Recommend PCB Layout

Unless Otherwise specified tolerance
 X. ±0.35 X.XX: ±0.20
 X.X: ±0.25 X.XXX: ±0.15

SCALE: As Shown	UNIT: mm
DRAW ZLA	DATE 21/07/2022
CHECK BobYang	DATE 21/07/2022



Atkconn® ATKCONN ELECTRONICS CO., LTD
[Http://www.atkconn.com](http://www.atkconn.com)

TITLE:
Coin Cell Holders For CR2430

DRAWING NO: BT-S-SN-R-CR2430D

PRODUCT NO: BT-S-SN-R-CR2430D

REV	DESCRIPTION	DATE
1		
2		
3		
4		
5		