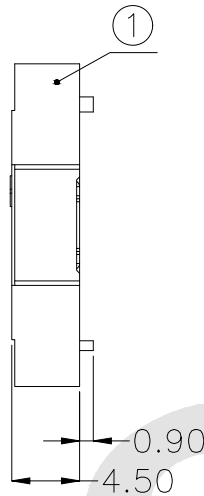
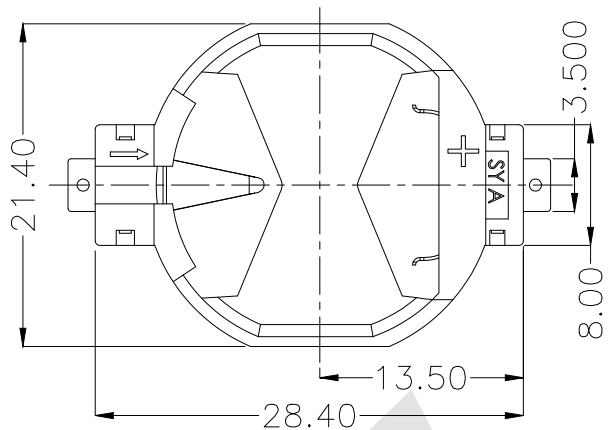


HSF



ROHS



Notes

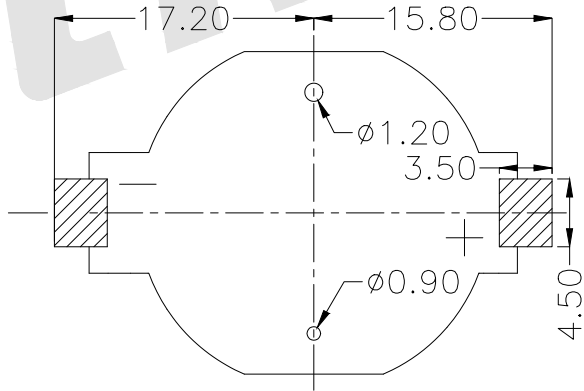
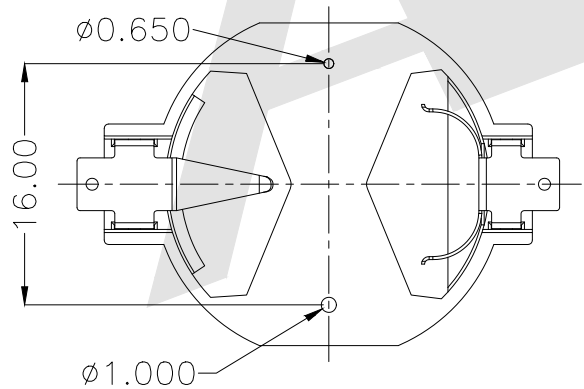
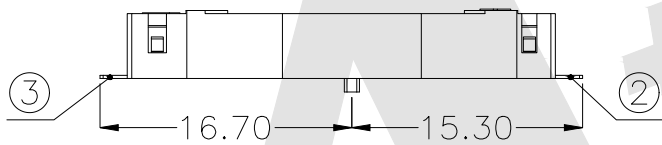
1. Materials: Housing-LCP 30%GF UL94V-0.
 Contact-Phosphor Bronze C5191R-H.

Order code:

BT - M - SN - R - CR2032U

① ② ③ ④ ⑤

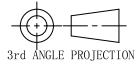
- ① BT: Coin Cell Holders
- ② Appearance for the product
- M: SMT TYPE
- S: 180 TYPE
- R: 90 TYPE
- ③ Contact Plating
- SN: Tin
- G0: Gold flash
- G1: 3U" Gold
- G2: 5U" Gold
- G3: 10U" Gold
- G4: 15U" Gold
- G5: 30U" Gold
- ④ Packing method
- A: Tray packing
- R: Tape & reel packing
- ⑤ Product number
- CR2032C



PCB Layout Diagram
Top View

Unless Otherwise specified tolerance
 X. ±0.35 X.XX: ±0.20
 X.X: ±0.25 X.XXX: ±0.15

SCALE: As Shown UNIT: mm
 DRAW: ZLA DATE: 21/07/2022
 CHECK: BobYang DATE: 21/07/2022



Atkconn® ATKCONN ELECTRONICS CO., LTD
[Http://www.atkconn.com](http://www.atkconn.com)

TITLE: Coin Cell Holders For CR2032

DRAWING NO: BT-M-SN-R-CR2032U

PRODUCT NO: BT-M-SN-R-CR2032U

REV	DESCRIPTION	DATE
1		
2		
3		
4		
5		