



SPECIFICATION

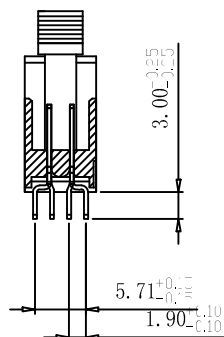
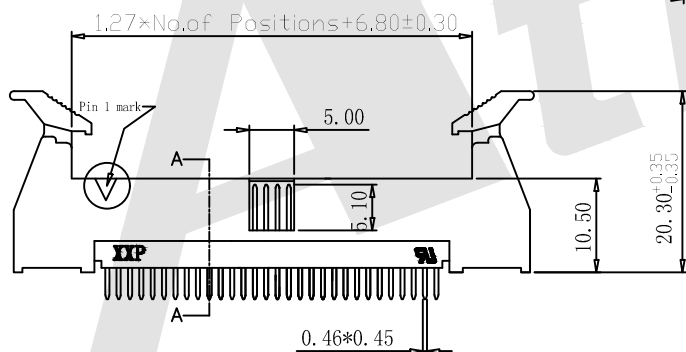
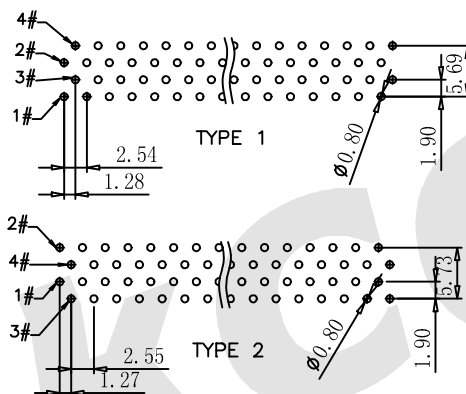
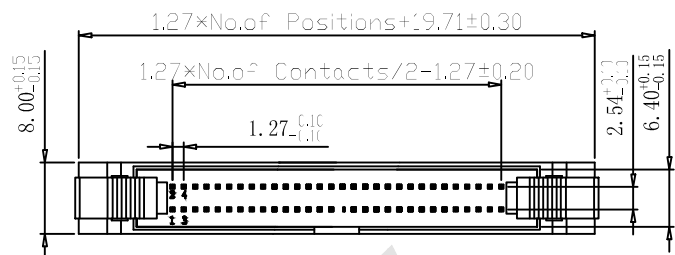
Current Rating: 1.0Amp
 Insulation Resistance: 1000MΩ min
 Contact Resistance: 20MΩ max
 Withstand Voltage: 500V AC/DC
 Operating Temperature: -40°C to +105°C
 Contact Material: Brass
 Contact Plating: Au or Sn Over Ni
 Insulator Material: PA6T+30%GF UL 94V-0

Ordering Code:

LHBS02 - X - X - X - X - X - X - X
 ① ② ③ ④ ⑤ ⑥ ⑦ ⑧

- ① Series No:
- ② No. of Contacts
 - 10 12 14
 - 16 20 24
 - 26 30 32
 - 34 40 44
 - 50 60 64
 - 80 100
- ③ Contact Plating:
 - G0: Gold flash S0: Selective
 - G1: 3u" Gold S1: Selective 3u"
 - G2: 5u" Gold S2: Selective 5u"
 - G3: 10u" Gold S3: Selective 10u"
 - G4: 15u" Gold S4: Selective 15u"
 - G5: 30u" Gold S5: Selective 30u"
 - SN: Tin
- ④ Color Insulator
 - B: Black
 - U: Blue
 - W: White
- ⑤ Insulator Material
 - B: PA6T
 - C: LCP
 - E: PA9T
- ⑥ Packing
 - A: Tray
 - B: Bag
 - T: Tube
 - U: Tube+CAP
 - R: Tape&Reel
 - W: Tape&Reel+CAP
- ⑦ A: Type 1
B: Type 2

Recommended P.C.B Layout (Top Side)
 (PCB BOARD TOLERANCE ±0.05)



SECTION A-A

Unless Otherwise specified tolerance
 X. ± 0.35 X.XX: ± 0.20
 X.X: ± 0.25 X.XXX: ± 0.15

Atkconn® ATKCONN ELECTRONICS CO., LTD
[Http://www.atkconn.com](http://www.atkconn.com)

SCALE: As Shown UNIT: mm
 DRAW ZLA DATE 24/04/2022
 CHECK BobYang DATE 24/04/2022

TITLE:
 1.27*2.54mm Ejector Header 180° Four Row Foot



DRAWING NO: LHBS02-XXXXX
 PRODUCT NO: LHBS02-XXXXX

REV	DESCRIPTION	DATE