

HSF



ROHS

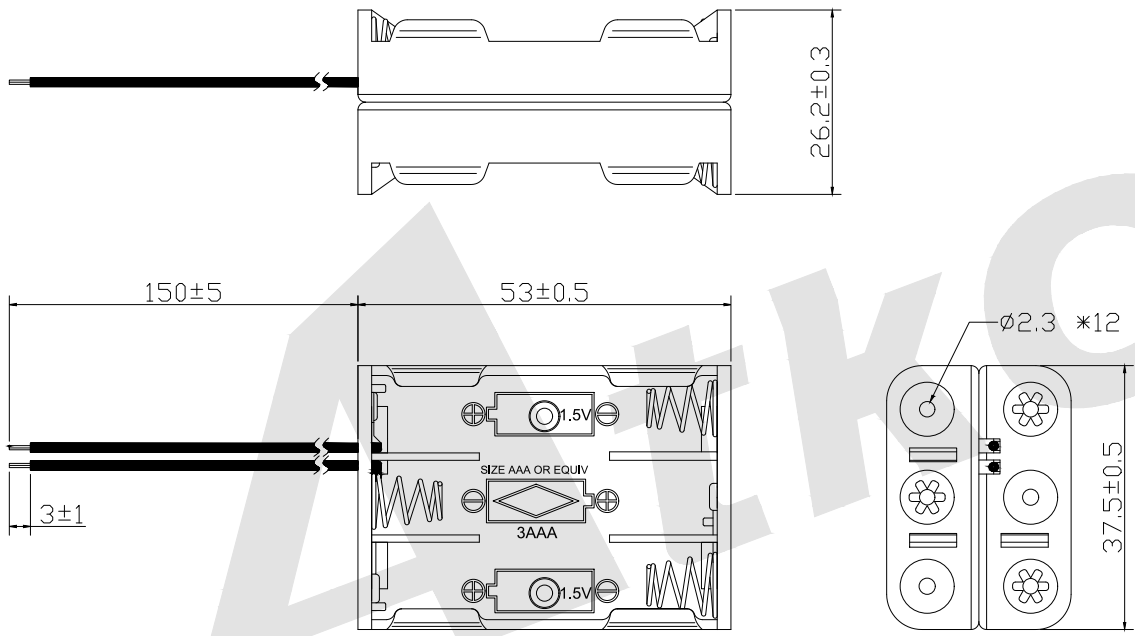
NOTES:

- 1、 HOLDER MATERIAL:POLYPROPYLENE
- 2、 SPRING MATERIAL:MUSIC WIRE, 0.6DIA
FINISH:NICKEL PLATE
- 3、 WIRE MATERIAL:26AWG 1007
UL/CSA APPROVED

Ordering Code:

BBA - 7 - 6 - 150 - 2 - A
 ① ② ③ ④ ⑤ ⑥

- ① BBA: Battery Holders
- ② BATTERY TYPE
5: AA SIZE
7: AAA SIZE
- ③ BATTERY NUMBERS
1: 1 piece
2: 2 Pieces
3: 3 pieces
6: 6 pieces
- ④ Wire Length
For example:
150=150mm
- ⑤ Double
2:Double
- ⑥ Packing
A:TRAY



Unless Otherwise specified tolerance
 X. ±0.35 X.XX: ±0.20
 X.X: ±0.25 X.XXX: ±0.15

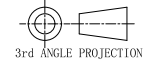
Atkconn® ATKCONN ELECTRONICS CO., LTD
[Http://www.atkconn.com](http://www.atkconn.com)

| | |
|--------------------|--------------------|
| SCALE: As Shown | UNIT: mm |
| DRAW ZLA | DATE 21/07/2022 |
| CHECK BobYang | DATE 21/07/2022 |

TITLE: 6 PIECES AAA Battery Holders 3P DOUBLE

DRAWING NO: BBA-7-6-150-2-A

PRODUCT NO: BBA-7-6-150-2-A



| REV | DESCRIPTION | DATE |
|-----|-------------|------|
| 1 | | |
| 2 | | |
| 3 | | |
| 4 | | |
| 5 | | |