

HSF



ROHS

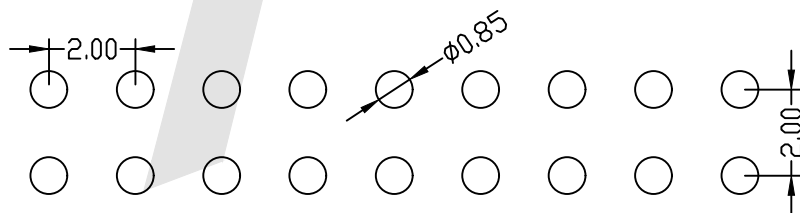
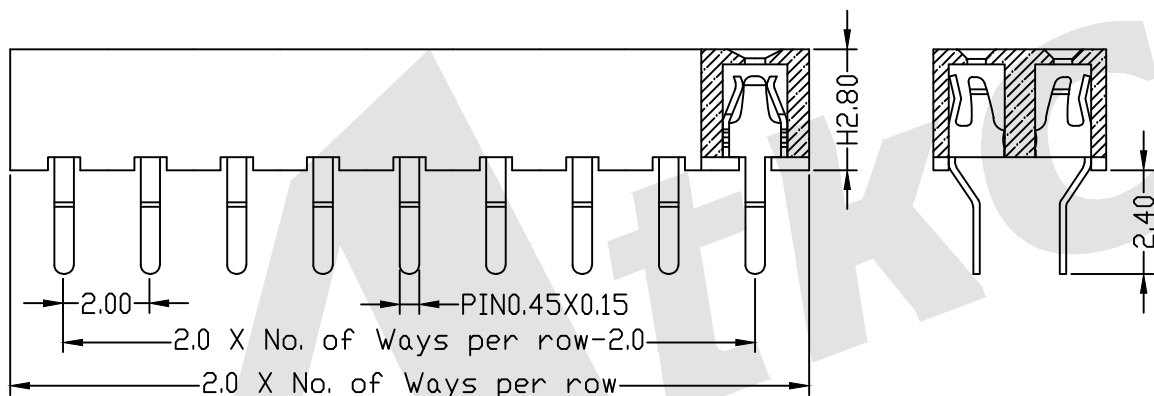
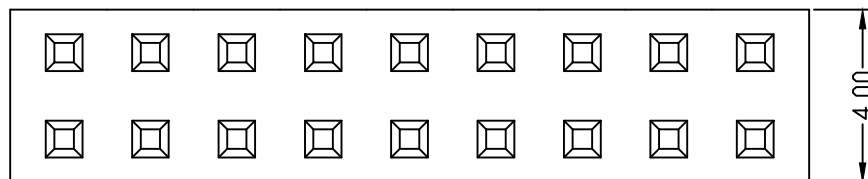
### SPECIFICATION

Current Rating: 1.5Amp  
 Insulation Resistance: 1000M ohms min  
 Contact Resistance: 20M ohms max  
 Dielectric Withstanding: AC500V  
 Operating Temperature: -65°C to +125°C  
 Contact Material: Brass  
 Insulator Material: PA6T UL 94V-0 Black

Ordering Code:

FHDS05 - X - X - D - X - X - X  
 ① ② ③ ④ ⑤ ⑥ ⑦

- ① Series No:
- ② No. of Contacts  
02 To 80
- ③ Contact Plating:  
G0:Gold flash S0:Selective  
G1:3u" Gold S1:Selective 3u"  
G2:5u" Gold S2:Selective 5u"  
G3:10u" Gold S3:Selective 10u"  
G4:15u" Gold S4:Selective 15u"  
G5:30u" Gold S5:Selective 30u"  
SN:Tin
- ④ Connector Type  
D: Dual
- ⑤ Plastic High:  
H:2.8  
Please mark the desired length in the H
- ⑥ Insulator Material  
B:PA6T  
C:LCP  
D:PA46  
E:PA9T
- ⑦ Packing  
A:Tray  
B:Bag  
T:Tube  
U:Tube+CAP  
R:Tape&Reel  
W:Tape&Reel+CAP



PCB LAYOUT

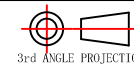
Unless Otherwise specified tolerance  
 X. ±0.35 X.XX: ±0.20  
 X.X: ±0.25 X.XXX: ±0.15

**Atkconn**® ATKCONN ELECTRONICS CO., LTD  
[Http://www.atkconn.com](http://www.atkconn.com)

SCALE: As Shown	UNIT: mm
DRAW ZLA	DATE 24/04/2022
CHECK BobYang	DATE 24/04/2022

TITLE:  
2.00mm Female Header  
Dual Row Straight Type

DRAWING NO: FHDS05-XXDXXX  
 PRODUCT NO: FHDS05-XXDXXX



REV	DESCRIPTION	DATE