



Note:

1. Material:

- a. Housing: PA66 UL94V-0
- b. Contact: Brass
- c. Surface Plating: Ni 100-120u"

2. Electric:

- a. Contact Resistance: 30 Milliohms Max.
- b. Insulation Resistance: 1000 Mega Ohms Min.
- c. Dielectric Voltage: 500 V AC One Sec Level
- d. Operating Temperature: -55° To +105°

Order code:

BT — S — SN — A — CR2032D
 ① — ② — ③ — ④ — ⑤

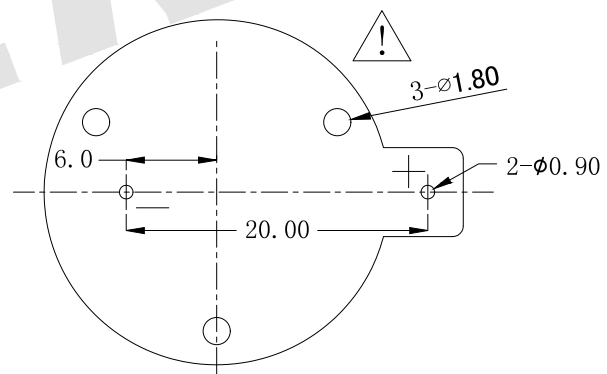
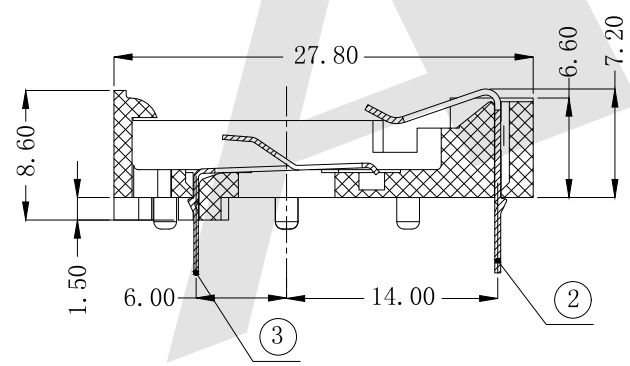
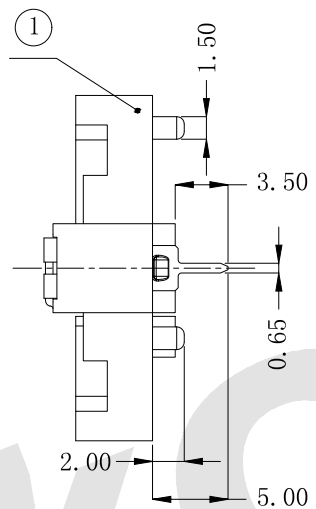
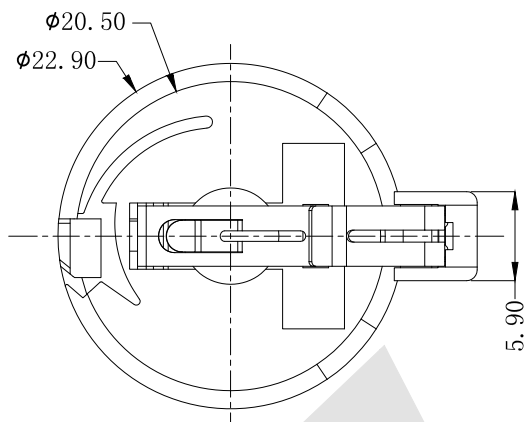
① BT: Coin Cell Holders ③ Contact Plating
 SN: Tin

② Appearance for the product
 M: SMT TYPE
 S: 180 TYPE
 R: 90 TYPE

G0: Gold flash
 G1: 3U" Gold
 G2: 5U" Gold
 G3: 10U" Gold
 G4: 15U" Gold
 G5: 30U" Gold

④ Packing method
 A: Tray packing
 R: Tape & reel packing

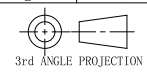
⑤ Product number
 CR2032D



PCB LAYOUT Diagram
Top View

Unless Otherwise specified tolerance
 X. ±0.35 X.XX: ±0.20
 X.X: ±0.25 X.XXX: ±0.15

SCALE: As Shown UNIT: mm
 DRAW ZLA DATE 21/07/2022
 CHECK BobYang DATE 21/07/2022



Atkconn® ATKCONN ELECTRONICS CO., LTD
[Http://www.atkconn.com](http://www.atkconn.com)

TITLE: Coin Cell Holders For CR2032

DRAWING NO: BT-S-SN-A-CR2032D

PRODUCT NO: BT-S-SN-A-CR2032D

REV	DESCRIPTION	DATE
1		
2		