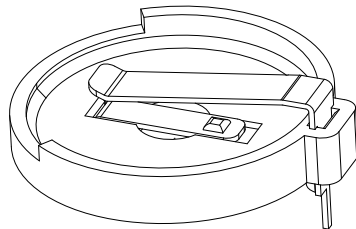
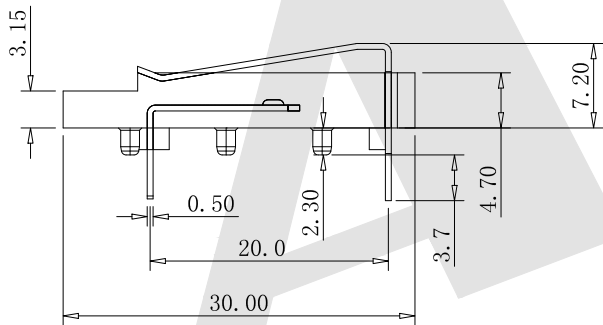


PCB HOLE LAYOUT



NOTE:

1, Material:

- a. Housing: PA BK V0 GF30.15
 - b. Contact: C2680
- (Surface Plating: Sn 10u")
See Ordering Information

2, Electric:

- a. Contact Resistance: 30 Milliohms Max
- b. Insulation Resistance: 1000 MEGA OHMS Min
- c. Dielectric Voltage: 500V AC One Sea Level
- d. Operating Temperature: -55° To 105°

Order code:

BT	—	S	—	SN	—	R	—	CR2450D
①		②		③		④		⑤

- ① BT: Coin Cell Holders
- ② Appearance for the product
M: SMT TYPE
S: 180 TYPE
R: 90 TYPE
- ③ Contact Plating
SN: Tin
G0: Gold flash
G1: 3U" Gold
G2: 5U" Gold
G3: 10U" Gold
G4: 15U" Gold
G5: 30U" Gold
- ④ Packing method
A: Tray packing
R: Tape & reel packing
- ⑤ Product number
CR2450D

Unless Otherwise specified tolerance
X. ±0.35 X.XX: ±0.20
X.X: ±0.25 X.XXX: ±0.15

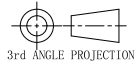
SCALE: As Shown	UNIT: mm
DRAW ZLA	DATE 21/07/2022
CHECK BobYang	DATE 21/07/2022

Atkconn® ATKCONN ELECTRONICS CO., LTD
[Http://www.atkconn.com](http://www.atkconn.com)

TITLE: Coin Cell Holders For CR2450D

DRAWING NO: BT-S-SN-R-CR2450D

PRODUCT NO: BT-S-SN-R-CR2450D



REV	DESCRIPTION	DATE
1		
2		
3		
4		
5		