



NOTE:

Type: Surface Mounted Device
 Base Material: Nylon Resin, Black Color
 Contacts: 0.35 Phosphor Bronze Flash Gold
 Flammability Rating: UL 94 V-0
 Dielectric Strength: 560 Volts/Mil, at 25°C
 For 5 Sec

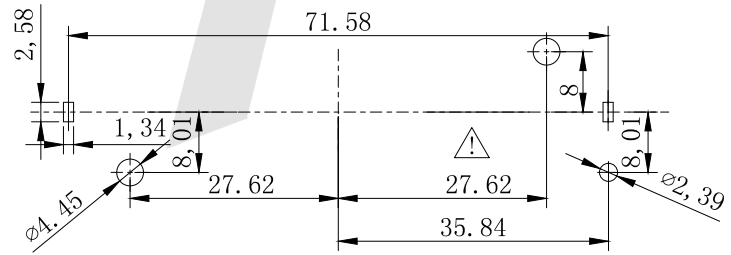
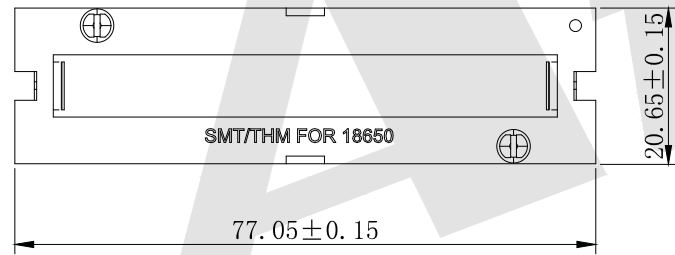
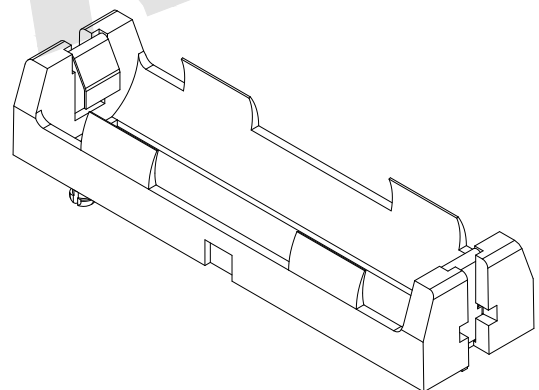
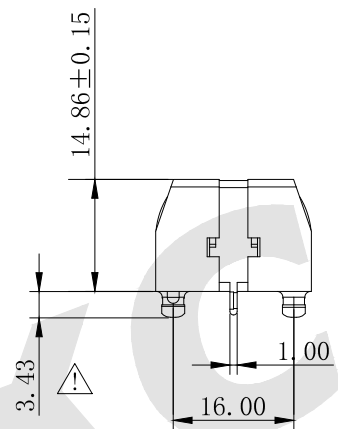
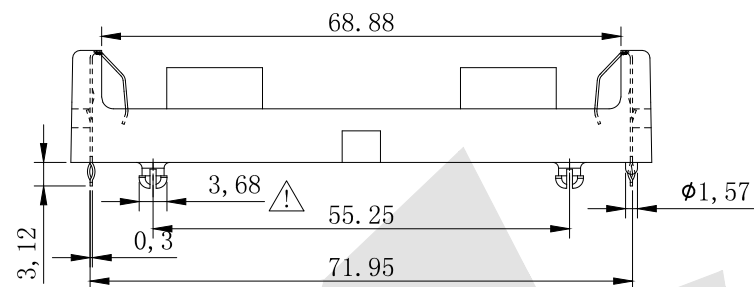
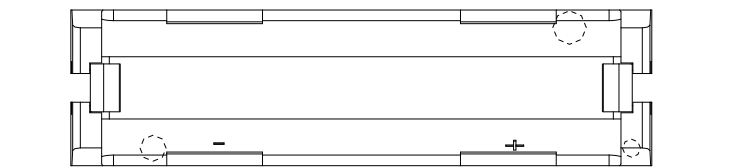
ROHS COMPLIANT

BT - S - GO - R - 18650-1

① ② ③ ④ ⑤

- ① BT: Coin Cell Holders
- ② Appearance for the product
- M: SMT TYPE S: 180 TYPE R: 90 TYPE
- ③ Contact Plating

SI: NICKEL Plated	G2: 5U" Gold
SN: Tin	G3: 10U" Gold
G0: Gold flash	G4: 15U" Gold
G1: 3U" Gold	G5: 30U" Gold
- ④ Packing method
 - A: Tray packing
 - R: Tape & reel packing
- ⑤ Product number
18650-1



PCB LAYOUT

Unless Otherwise specified tolerance
 X. ±0.35 X.XX: ±0.20
 X.X: ±0.25 X.XXX: ±0.15

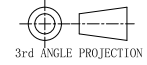
Atkconn® ATKCONN ELECTRONICS CO., LTD
[Http://www.atkconn.com](http://www.atkconn.com)

SCALE: As Shown	UNIT: mm
DRAW ZLA	DATE 21/07/2022
CHECK BobYang	DATE 21/07/2022

TITLE:
Coin Cell Holders For One Li-ion 18650 Dip

DRAWING NO: BT-S-GO-R-18650-1

PRODUCT NO: BT-S-GO-R-18650-1



REV	DESCRIPTION	DATE
1		
2		
3		