



# SPECIFICATION

Current Rating: 3.0Amp  
 Insulation Resistance: 1000MΩ min  
 Contact Resistance: 20MΩ max  
 Withstand Voltage: 500V AC/DC  
 Operating Temperature: -40°C to +105°C  
 Contact Material: Brass  
 Contact Plating: Au or Sn Over Ni  
 Insulator Material: PA6T UL 94V-0

Ordering Code:

BHDM02 - X - X - X - X - X - W-C  
 ① ② ③ ④ ⑤ ⑥ ⑦

① Series No:

② No. of Contacts

06 08 10 12 14 16 18  
 20 22 24 26 28 30 32  
 34 36 40 44 48 50 60  
 64

③ Contact Plating:

G0: Gold flash S0: Selective  
 G1: 3u" Gold S1: Selective 3u"  
 G2: 5u" Gold S2: Selective 5u"  
 G3: 10u" Gold S3: Selective 10u"  
 G4: 15u" Gold S4: Selective 15u"  
 G5: 30u" Gold S5: Selective 30u"  
 SN: Tin

④ Color Insulator

B: Black  
 U: Blue  
 G: Gray

⑤ Insulator Material

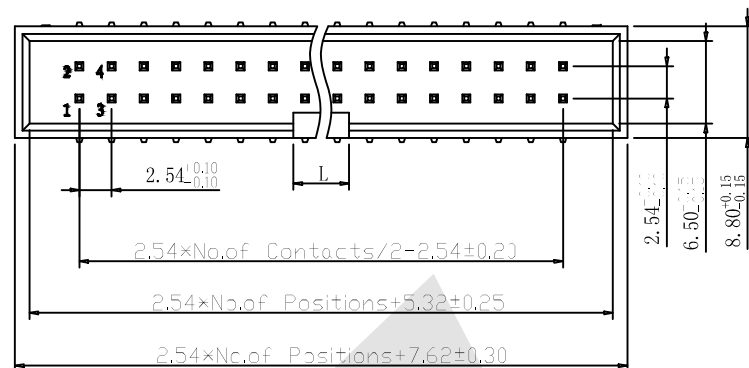
B: PA6T  
 C: LCP  
 E: PA9T

⑥ Packing

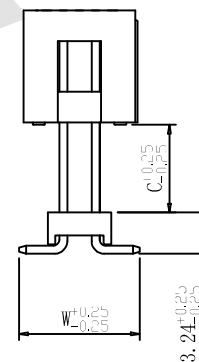
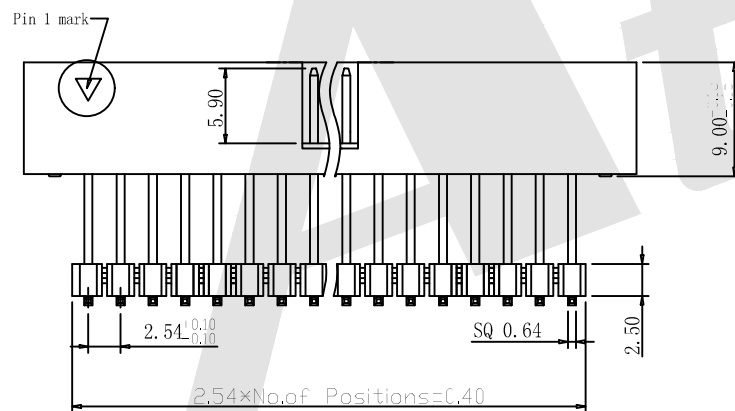
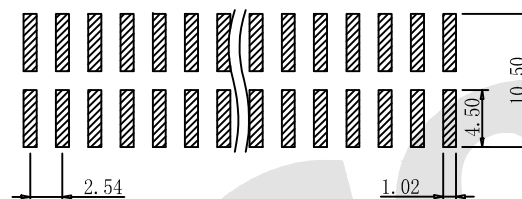
A: Tray  
 B: Bag  
 T: Tube  
 U: Tube+CAP  
 R: Tape&Reel  
 W: Tape&Reel+CAP

⑦ Dimension option:

W: 0950=9.50mm  
 C: 0690=6.90mm



Recommended P.C.B Layout (Top Side)  
(PCB BOARD TOLERANCE ± 0.05)



Dimension option		
ITEM	W	C
Standard	9.50	6.90
Alternate		

Unless Otherwise specified tolerance  
 X. ± 0.35 X.XX: ± 0.20  
 X.X: ± 0.25 X.XXX: ± 0.15

SCALE: As Shown UNIT: mm  
 DRAW ZLA DATE 24/04/2022  
 CHECK BobYang DATE 24/04/2022



**Atkconn**® ATKCONN ELECTRONICS CO., LTD  
[Http://www.atkconn.com](http://www.atkconn.com)

TITLE: 2.54mm Box Header SMT H=9.0 Add Housing  
 DRAWING NO: BHDM02-XXXXXX  
 PRODUCT NO: BHDM02-XXXXXX

REV	DESCRIPTION	DATE