

HSF



ROHS

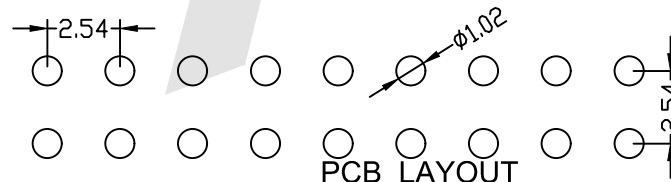
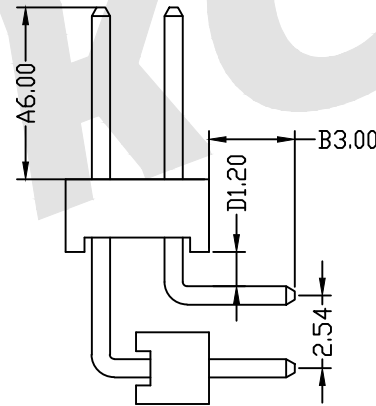
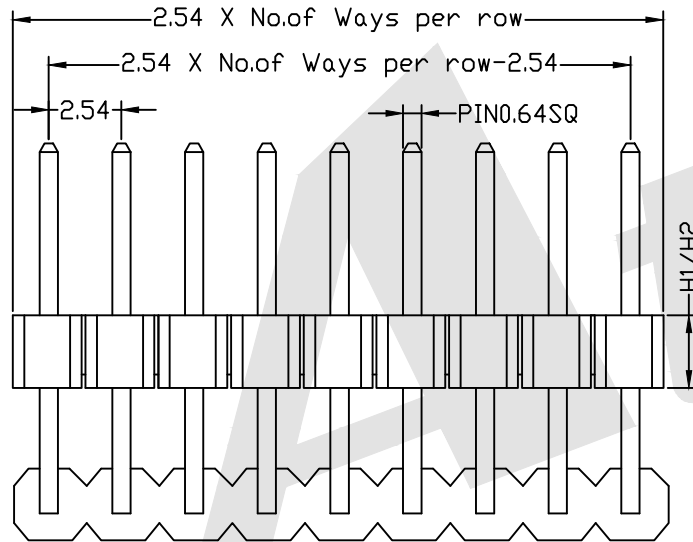
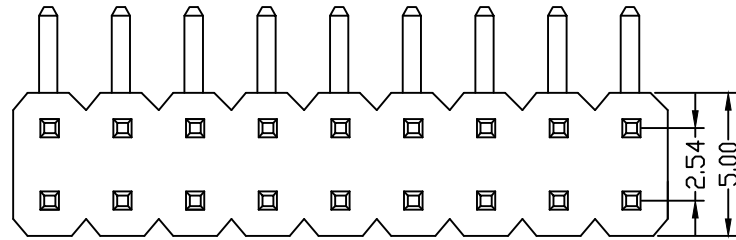
### SPECIFICATION

Current Rating: 3 Amp  
 Insulation Resistance: 1000M ohms min  
 Contact Resistance: 20M ohms max  
 Dielectric Withstanding: AC500V  
 Operating Temperature: -65°C to +125°C  
 Contact Material: Brass  
 Insulator Material: PBT,UL 94V-0 Black

Ordering Code:

PHEU04 - X - X - D - A-D-B - X - X - X  
 ① ② ③ ④ ⑤ ⑥ ⑦ ⑧

- ① Series No:
- ② No. of Contacts  
02 To 80
- ③ Contact Plating:  
G0:Gold flash S0:Selective  
G1:3U" Gold S1:Selective 3u"  
G2:5u" Gold S2:Selective 5u"  
G3:10u" Gold S3:Selective 10u"  
G4:15u" Gold S4:Selective 15u"  
G5:30u" Gold S5:Selective 30u"  
SN: Tin
- ④ Connector Type  
D: Dual
- ⑤ Pin Length:  
A:0600=6.00mm  
D:0120=1.20mm  
B:0300=3.00mm  
Please mark the desired length in the A/D/B
- ⑥ Insulator Material  
A:PBT  
B:PA6T  
C:LCP  
D:PA46  
E:PA9T
- ⑦ Packing:  
A:Tray  
B:Bag  
T:Tube  
U:Tube+CAP  
R:Tape&Reel  
W:Tape&Reel+CAP
- ⑧ Plastic High  
H1:2.00mm  
H2:2.54mm



Unless Otherwise specified tolerance  
 X. ±0.35 X.XX: ±0.20  
 X.X: ±0.25 X.XXX: ±0.15

**Atkconn**® ATKCONN ELECTRONICS CO., LTD  
[Http://www.atkconn.com](http://www.atkconn.com)

SCALE: As Shown	UNIT: mm
DRAW ZLA	DATE 24/04/2022
CHECK BobYang	DATE 24/04/2022

TITLE:  
2.54mm Pin Header Dual Row Angle Type Add Housing

DRAWING NO: PHEU04-XXD-0600-0120-0300-XXX  
 PRODUCT NO: PHEU04-XXD-0600-0120-0300-XXX



REV	DESCRIPTION	DATE