



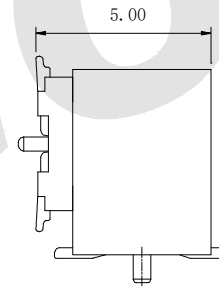
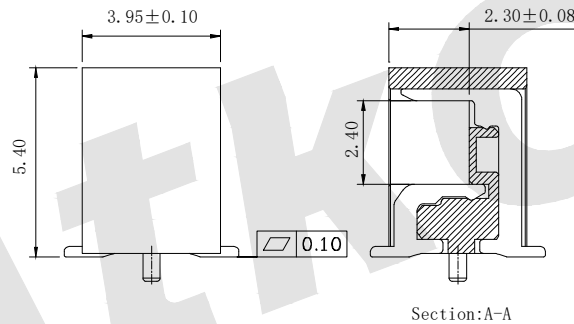
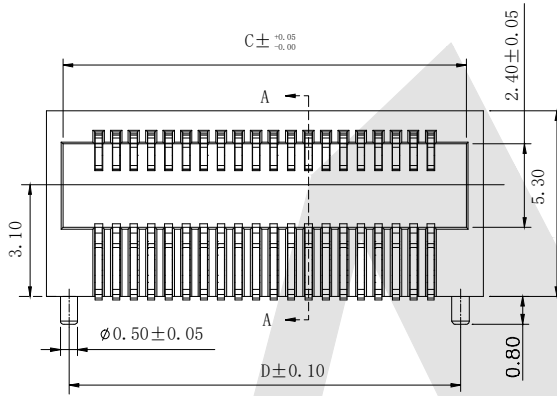
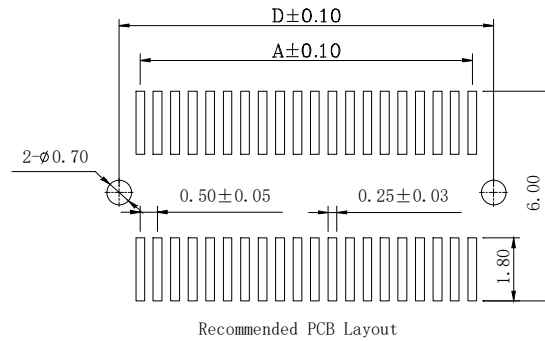
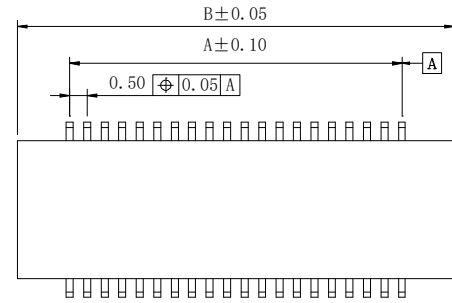
NOTES:

- 1. HUOSING: PA9T HIGH-TEMP THERMOPLASTICUL94V-0
COLOR:CREAM-COLOURED
- 2. TERMINAL:PHOSPHOR BRONZE
PLATING:1 μ'' GOLD FLASH OVERALL 50~100 μ'' NICKEL UNDER PLATED.

Ordering Code:

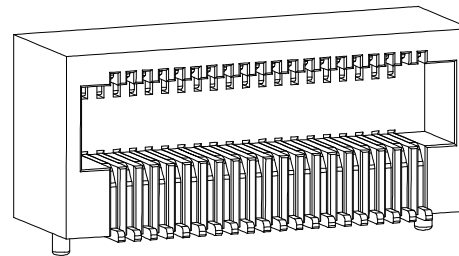
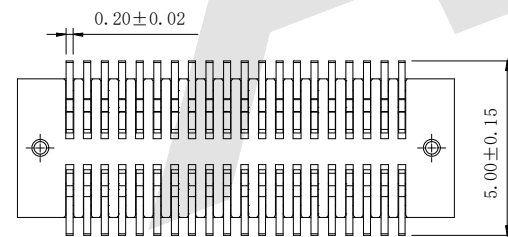
BBO. 5B - F - 5.0 - X - X - X - X - 06
 ① ② ③ ④ ⑤ ⑥ ⑦ ⑧

- ① Series NO:
0.5mm Board to Board
- ② Mating Height F:Female
- ③ Mating Height:
5.0=5.0mm
- ④ NO. of contacts:
see table
For example
20:20poles
- ⑤ Contact Plating
G0: Gold flash
G1: 3u'' Gold
G2: 5u'' Gold
G3: 10u'' Gold
G4: 15u'' Gold
G5: 30u'' Gold
SN: Tin
- ⑥ Packing
T:Tube A:Tray
B:Bag U:Tube+CAP
R:tape&Reel
W:tape&Reel+CAP
- ⑦ Locating Pegs Type
A:Without Locating Pegs
B:With locating Pegs
BL:With Large Locating Pegs
- ⑧ Serial Number: 06



Mating Height:5.0mm

Pin	Dim A	Dim B	Dim C	Dim D
2*5	2.00	5.00	4.03	3.70
2*6	2.50	5.50	4.53	4.20
2*7	3.00	6.00	5.03	4.70
2*8	3.50	6.50	5.53	5.20
2*9	4.00	7.00	6.03	5.70
2*10	4.50	7.50	6.53	6.20
2*11	5.00	8.00	7.03	6.70
2*12	5.50	8.50	7.53	7.20
2*13	6.00	9.00	8.03	7.70
2*14	6.50	9.50	8.53	8.20
2*15	7.00	10.00	9.03	8.70
2*16	7.50	10.50	9.53	9.20
2*17	8.00	11.00	10.03	9.70
2*18	8.50	11.50	10.53	10.20
2*19	9.00	12.00	11.03	10.70
2*20	9.50	12.50	11.53	11.20



3D VIEW

Unless Otherwise specified tolerance
 X. ±0.35 X.XX: ±0.20
 X.X: ±0.25 X.XXX: ±0.15

SCALE: As Shown	UNIT: mm
DRAW ZLA	DATE 24/10/2022
CHECK BobYang	DATE 24/10/2022
VER. A0	

Atkconn® ATKCONN ELECTRONICS CO., LTD
[Http://www.atkconn.com](http://www.atkconn.com)

TITLE: 0.5mm Board to Board Socket Connector
 Mating Height=5.0mm

DRAWING NO: BBO. 5BF-5. 0XXXX06

PRODUCT NO: BBO. 5BF-5. 0XXXX06

REV	DESCRIPTION	DATE
1		
2		
3		
4		
5		