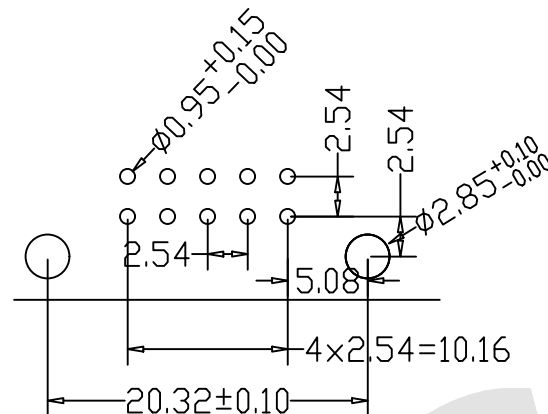
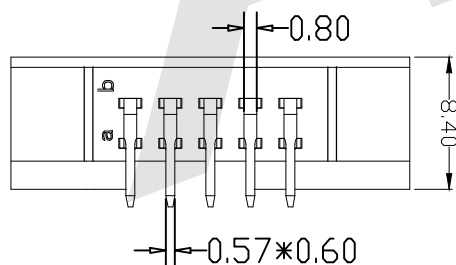
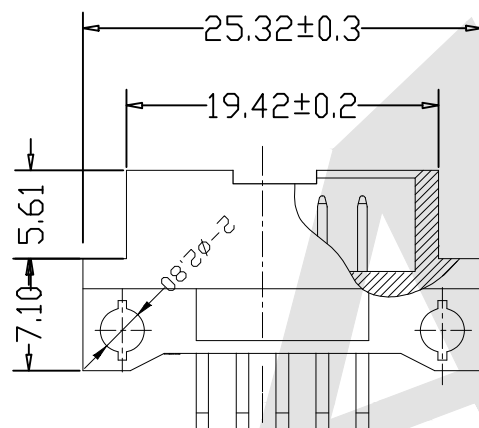
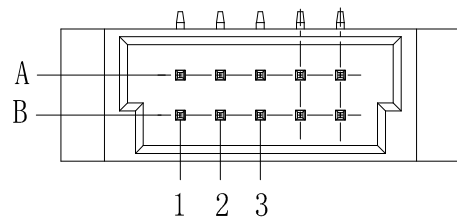


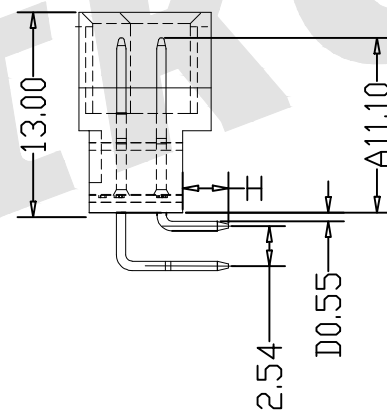
HSF



ROHS



Recommended P. C. B. Layout



SPECIFICATION

Current Rating: 2.0Amp
 Insulation Resistance: 1000MΩ min.at DC 100V
 Contact Resistance: 20mΩ max
 Withstand Voltage: AC 1000V For 1 Minute
 Operating Temperature: -55° C to +105° C
 Contact Material: Brass
 Contact Plating: Au or Sn Over Ni
 Insulator Material: PBT+30%GF UL 94V-0
 Insertion Force: 20 pin max.18N
 Withdrawal Force: 0.15N min.per individual contact

Ordering Code:

DMR - XX - X - X - X -210
 ① ② ③ ④ ⑤ ⑥

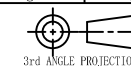
- ① Series No:
- ② No. of Contacts
5p 10p
- ③ Termination Δ
 B:Right tail length H=3.0mm
 F:Right tail length H=4.4mm
 M:Right tail length H=13.0mm
- ④ Rows Loaded With Contacts
 A:Row a+b C:Row a -

- ⑤ Contact Plating
 G0: Gold flash
 S0: Gold flash/Ni
 G1: 3u" Gold
 S1: 3u" Gold/Ni
 G2: 5u" Gold
 S2: 5u" Gold/Ni
 G3: 10u" Gold
 S3: 10u" Gold/Ni
 G4: 15u" Gold
 S4: 15u" Gold/Ni
 G5: 30u" Gold
 S5: 30u" Gold/Ni
 SN: Tin
- ⑥ Series number
210

Code	Number Of Contacts	Contact Arrangement	Rows With Contacts	Pitch
A	10	a b	a b	2.54
B	5	a b	a -	2.54

Unless Otherwise specified tolerance
 X. ±0.35 X.XX: ±0.20
 X.X: ±0.25 X.XXX: ±0.15

SCALE: As Shown UNIT: mm
 DRAW ZLA DATE 24/04/2022
 CHECK BobYang DATE 24/04/2022



Atkconn® ATKCONN ELECTRONICS CO.,LTD
 Http://www.atkconn.com

TITLE: DIN41612 Right Angle Plug Type
 Connectors 10 Positions

DRAWING NO: DMR-XX-XXX-210

PRODUCT NO: DMR-XX-XXX-210

REV	DESCRIPTION	DATE