

Recommended P. C. B Layout

SPECIFICATION

- Current Rating: 2.0Amp
- Insulation Resistance: 1000MΩ min.at DC 100V
- Contact Resistance: 20mΩ max
- Withstand Voltage: AC 1000V For 1 Minute
- Operating Temperature: -55° C to +105° C
- Contact Material: Brass
- Contact Plating: Au or Sn Over Ni
- Insulator Material: PBT+30%GF UL 94V-0
- Insertion Force: 128 pin max.120N
- Withdrawal Force: 0.15N min.per individual contact

Ordering Code:

DFS - XX - D - X - X - 401 - B

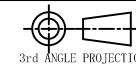
① ② ③ ④ ⑤ ⑥ ⑦

- ① Series No:
- ② No. of Contacts
128P 64P
- ③ Termination
A: Straight solder tail length H=2.5mm
E: Straight solder tail length H=4.0mm
D: Straight tail length H=4.5mm
I: Straight tail length H=5.0mm
K: Straight tail length H=7.4mm
M: Wrap post tail length H=13.0mm
N: Wrap post tail length H=17.0mm
O: Wrap post tail length H=19.4mm
- ④ Rows Loaded With Contacts
J: Row a+b+c+d
K: Row a+d
- ⑤ Contact Plating
G0: Gold flash
S0: Gold flash/Ni
G1: 3u" Gold
S1: 3u" Gold/Ni
G2: 5u" Gold
S2: 5u" Gold/Ni
G3: 10u" Gold
S3: 10u" Gold/Ni
G4: 15u" Gold
S4: 15u" Gold/Ni
G5: 30u" Gold
S5: 30u" Gold/Ni
SN: Tin
- ⑥ Serise number
401
- ⑦ B: With Fork Insert

Code	Number Of Contacts	Contact Arrangement	Rows With Contacts	Pitch
J	128		a b c d	2.54
K	64		a d	5.08

Unless Otherwise specified tolerance
X. ±0.35 X.XX: ±0.20
X.X: ±0.25 X.XXX: ±0.15

SCALE: As Shown UNIT: mm
DRAW ZLA DATE 24/04/2022
CHECK BobYang DATE 24/04/2022



Atkconn® ATKCONN ELECTRONICS CO., LTD
Http://www.atkconn.com

TITLE: DIN41612 Vertical Female Type C Connectors
128 Positions With Fork Insert

DRAWING NO: DFS-XX-DXY-401-B

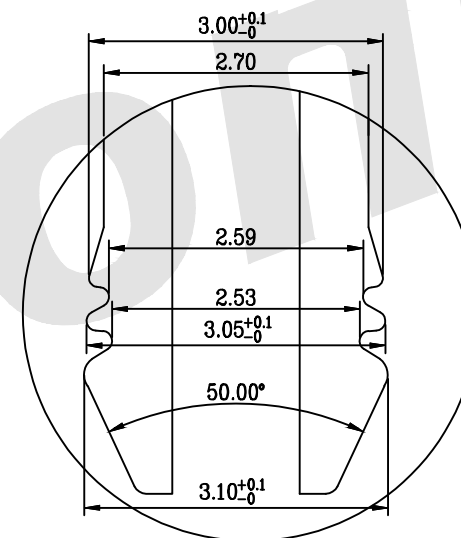
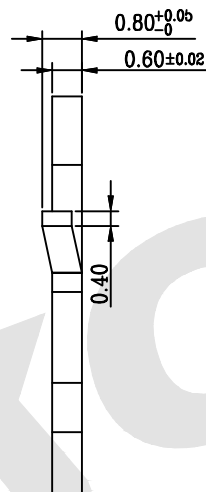
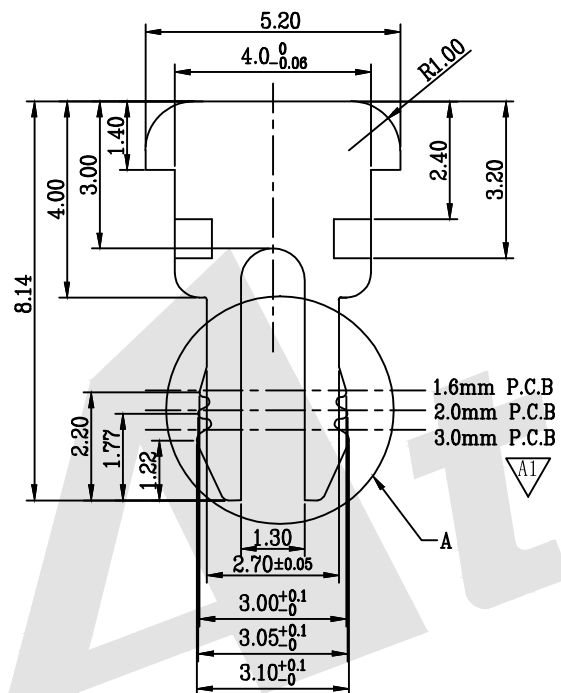
PRODUCT NO: DFS-XX-DXX-401-B

REV	DESCRIPTION	DATE
1		
2		
3		
4		
5		

HSF



ROHS



NOTES:

- 1. MATERIALS: Brass.
- 2.0 Plating: Tin Plated Over 50u"Ni Min

Unless Otherwise specified tolerance
 X. ±0.35 X.XX: ±0.20
 X.X: ±0.25 X.XXX: ±0.15

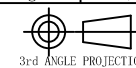
Atkconn® ATKCONN ELECTRONICS CO., LTD
[Http://www.atkconn.com](http://www.atkconn.com)

SCALE: As Shown	UNIT: mm
DRAW ZLA	DATE 24/04/2022
CHECK BobYang	DATE 24/04/2022

TITLE:
Fork For DIM1612 Vertical Female

DRAWING NO: DFS-XX-DXX-401-B

PRODUCT NO: DFS-XX-DXX-401-B



REV	DESCRIPTION	DATE