



NOTES:

1,BASE:

MAT'L:HEAT RESISTANCE NYLON UL 94V-0

2,CONTACT:

MAT'L:0.3mm TH'K SPRING STEEL

FINISH:TIN NICKEL PALTE

Order code:

BT	-	S	-	SI	-	R	-	CR123A-B
①		②		③		④		⑤

① BT: Coin Cell Holders

② Apperance for the product

S:180 TYPE

③ Contact Plating

SI: NICKEL Plated

SN: Tin

G0: Gold flash

G1: 3U" Gold

G2: 5U" Gold

G3: 10U" Gold

G4: 15U" Gold

G5: 30U" Gold

④ Packing method

A: Tray packing

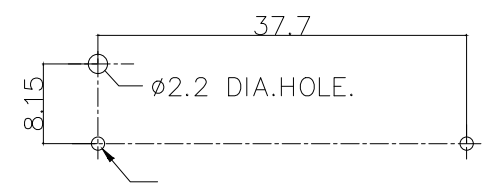
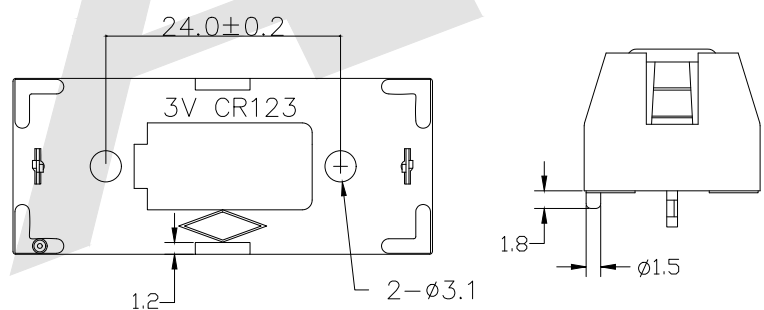
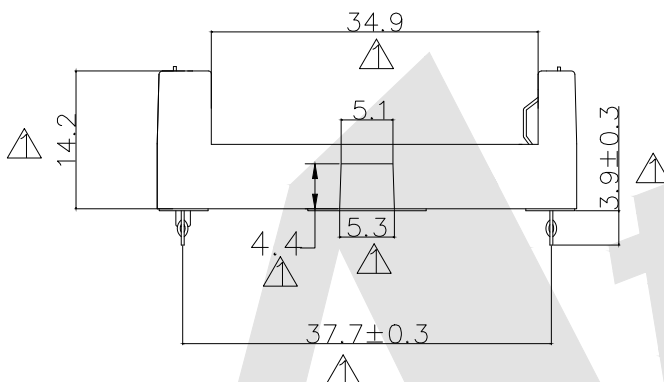
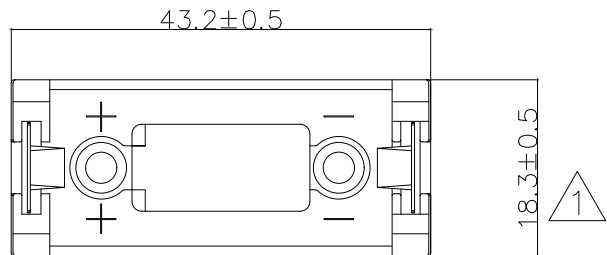
B: BAG

R: Tape & reel packing

⑤ Product number

CR123A-B

MOUNTING PAD & HOLE DETAIL



Unless Otherwise specified tolerance
 X. ±0.35 X.XX: ±0.20
 X.X: ±0.25 X.XXX: ±0.15

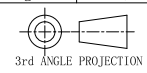
Atkconn® ATKCONN ELECTRONICS CO., LTD
[Http://www.atkconn.com](http://www.atkconn.com)

SCALE: As Shown	UNIT: mm
DRAW ZLA	DATE 21/07/2022
CHECK BobYang	DATE 21/07/2022

TITLE: Coin Cell Holders For CR123A

DRAWING NO: BT-S-SI-R-CR123A-B

PRODUCT NO: BT-S-SI-R-CR123A-B



REV	DESCRIPTION	DATE
1		
2		
3		
4		
5		