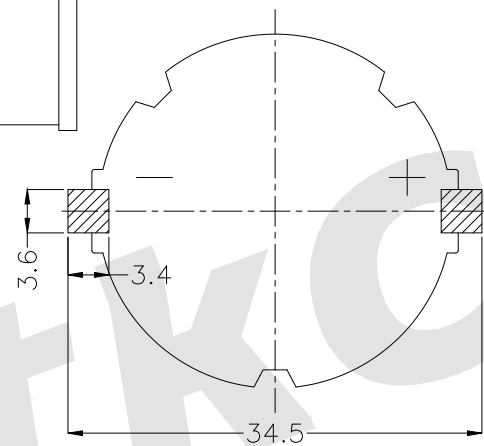
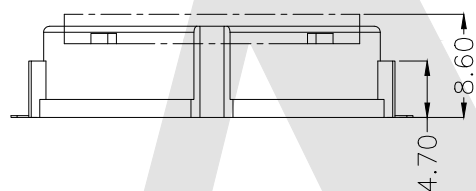
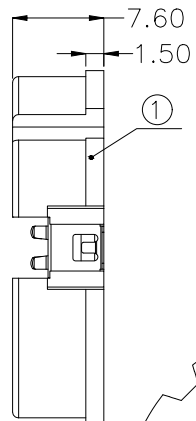
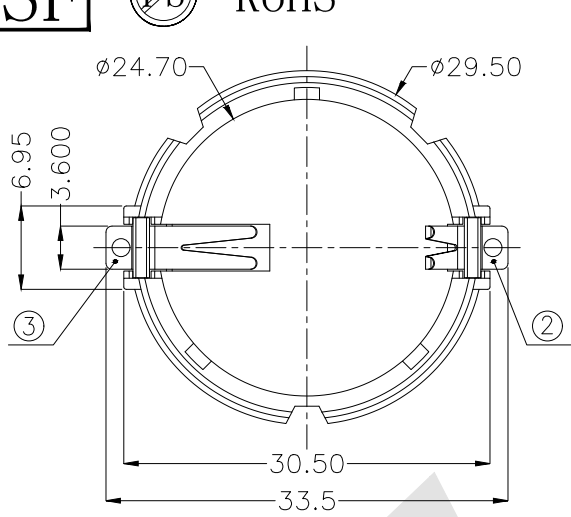


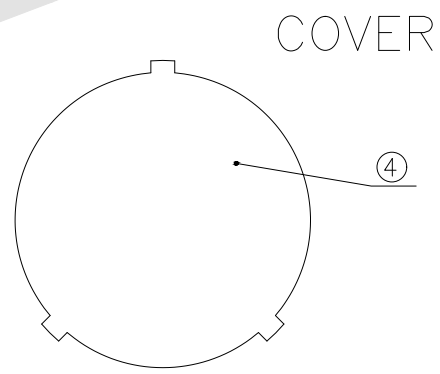
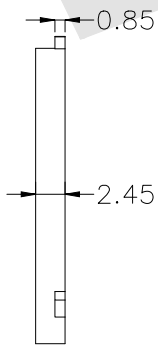
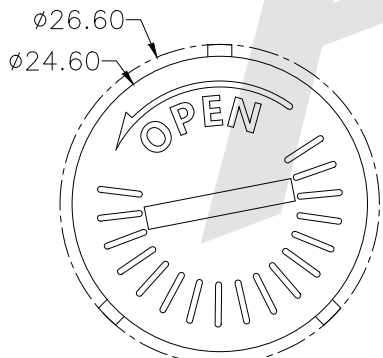
HSF



ROHS



PCB Layout Diagram
Top View



COVER

NOTE:

- 1, Material:
 - a. Housing: PBTVO+GF BK
 - b. Contact: Phosphor Bronze
(Surface Plating: Sn 100u"~120u")
See Ordering Information
- 2, Electric:
 - a. Contact Resistance: 30 Milliohms Max
 - b. Insulation Resistance: 1000 MEGA OHMS Min
 - c. Dielectric Voltage: 500V AC One Sea Level
 - d. Operating Temperature: -55° To 105°

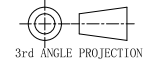
Order code:

BT — M — SN — R — CR2450B
 ① — ② — ③ — ④ — ⑤

- ① BT: Coin Cell Holders
- ② Appearance for the product
M: SMT TYPE
S: 180 TYPE
R: 90 TYPE
- ③ Contact Plating
SN: Tin
G0: Gold flash
G1: 3U" Gold
G2: 5U" Gold
G3: 10U" Gold
G4: 15U" Gold
G5: 30U" Gold
- ④ Packing method
A: Tray packing
R: Tape & reel packing
- ⑤ Product number
CR2450B

Unless Otherwise specified tolerance
 X. ±0.35 X.XX: ±0.20
 X.X: ±0.25 X.XXX: ±0.15

SCALE: As Shown UNIT: mm
 DRAW: ZLA DATE: 21/07/2022
 CHECK: BobYang DATE: 21/07/2022



Atkconn® ATKCONN ELECTRONICS CO., LTD
[Http://www.atkconn.com](http://www.atkconn.com)

TITLE: Coin Cell Holders For CR2450

DRAWING NO: BT-M-SN-R-CR2450B

PRODUCT NO: BT-M-SN-R-CR2450B

REV	DESCRIPTION	DATE
1		
2		
3		
4		
5		