



SPECIFICATION

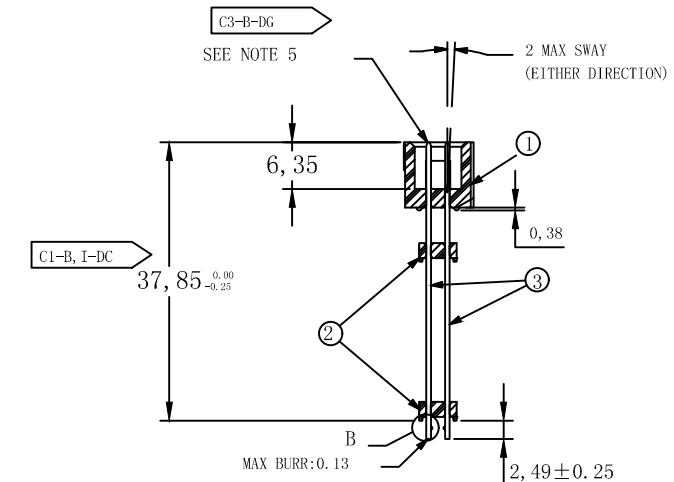
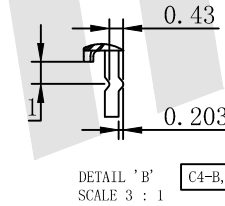
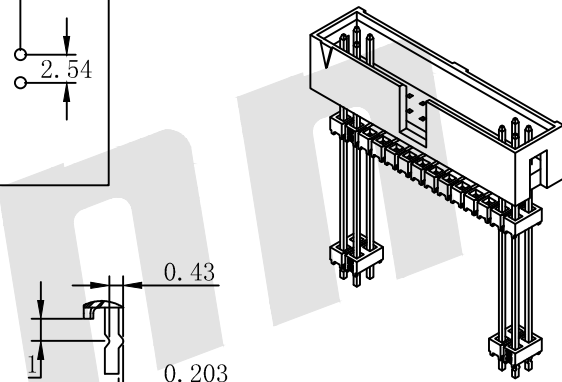
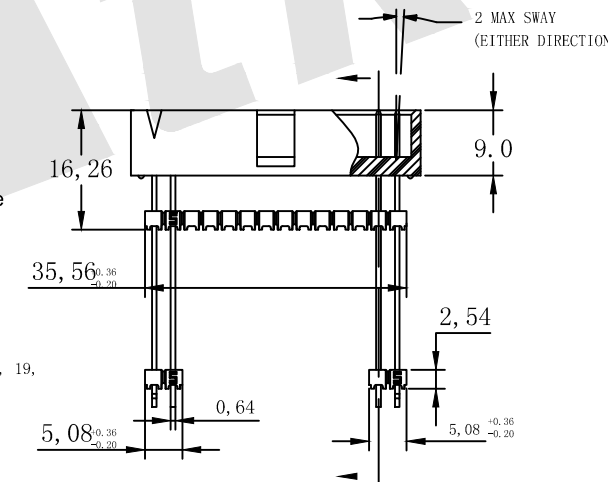
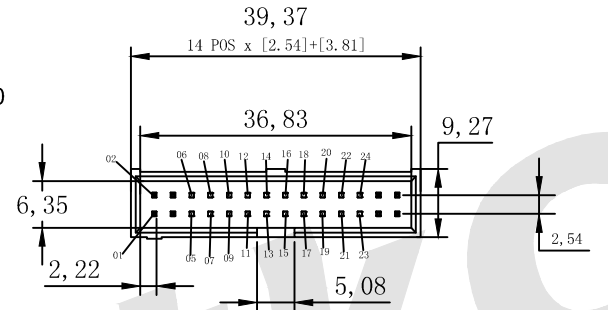
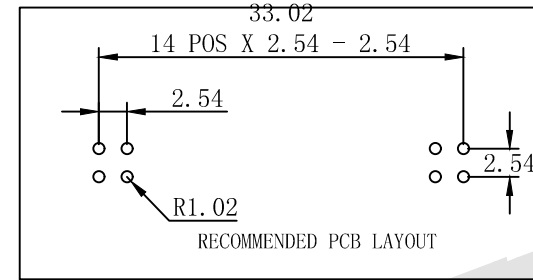
Current Rating: 3.0Amp
 Insulation Resistance: 1000MΩ min
 Contact Resistance: 20MΩ max
 Withstand Voltage: 500V AC/DC
 Operating Temperature: -40°C to +105°C
 Contact Material: Brass
 Contact Plating: Au or Sn Over Ni
 Insulator Material: PBT/PA6T+30%GF UL 94V-0

Ordering Code:

BHDS05 - X - X - X - X - X
 ① ② ③ ④ ⑤ ⑥

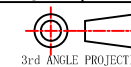
- ① Series No:
- ② No. of Contacts
06 08 10 12 14 16 18
20 22 24 26 28 30 32
34 36 40 44 48 50 60
64
- ③ Contact Plating:
G0:Gold flash S0:Selective
G1:3u" Gold S1:Selective 3u"
G2:5u" Gold S2:Selective 5u"
G3:10u" Gold S3:Selective 10u"
G4:15u" Gold S4:Selective 15u"
G5:30u" Gold S5:Selective 30u"
SN:Tin
- ④ Color Insulator
B:Black
U:Blue
G:Gray
- ⑤ Insulator Material
A:PBT
B:PA6T
C:LCP
D:PA46
E:PA9T
- ⑥ Packing
A:Tray B:Bag T:Tube
U:Tube+CAP
R:Tape&Reel
W:Tape&Reel+CAP

NOTES:
 1. LEAD STYLE, SHEAR TAILS TO DIMENSION SHOWN AND POLARIZE POSITIONS 05, 06, 07, 08, 09, 10, 11, 12, 13, 14, 15, 16, 17, 18, 19, 20, 21, 22, 23, & 24 AND ADD EXTRA ITEM 2 BODY NOT AVAILABLE AS STANDARD.
 2. LOCKING LEADS TO BE ON POSITIONS 1, 2, 27, & 28.
 3. MAXIMUM CUT FLASH: .010[0.25]
 4. MINIMUM PUSHOUT FORCE: 3 LB
 5. TERMINALS TO BE FLUSH TO .010 [0.25] BELOW TOP OF SHROUD.
 6. PARTS TO BE PACKAGED IN BULK.



Unless Otherwise specified tolerance
 X. ±0.35 X.XX: ±0.20
 X.X: ±0.25 X.XXX: ±0.15

SCALE: As Shown UNIT: mm
 DRAW: ZLA DATE: 24/04/2022
 CHECK: BobYang DATE: 24/04/2022



Atkconn® ATKCONN ELECTRONICS CO., LTD
 Http://www.atkconn.com

TITLE:
2.54mm Box Header 180° H=9.0 Add Housing

DRAWING NO: BHDS05-XXXXX

PRODUCT NO: BHDS05-XXXXX

REV	DESCRIPTION	DATE
1		
2		
3		
4		
5		