

南京全宁电器有限公司
Nanjing QuanNing Electric Co.,Ltd

江苏省南京市江宁区东山科创园润麒路 68 号

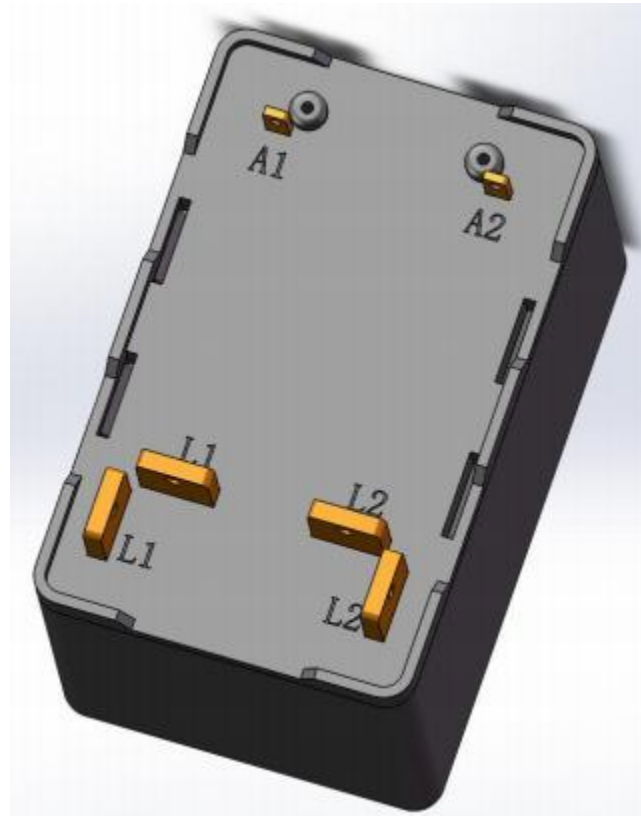
TEL: (025) 52628081

FAX: (025) 52628051

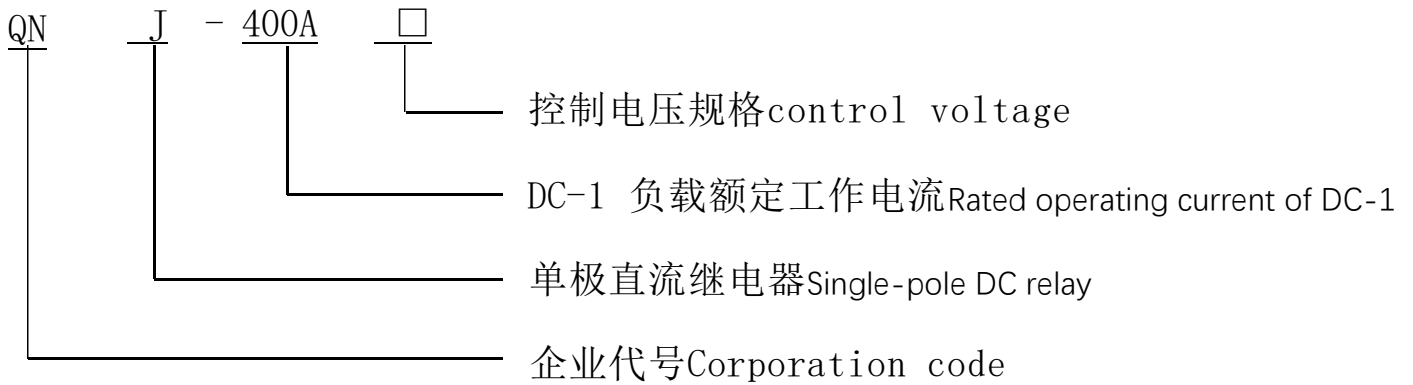
E-MAIL: njquanning@outlook.com

CUSTOMER		MODEL NO	QNJ-400A DC24V
----------	--	----------	----------------

产品外形图



ORDER DESIGNATION (订货标记)



产品应用范围：变频器、通信电源、蓄电池车辆、牵引机车、不间断电源系统

Application: inverter, telecommunication power supply, uninterruptible power supply system, electronic circuit

产品设计符合标准Standards: IEC60947-4, GB14048.1, GB14048.4, JB2286-78, JB3974-85, YD/T585-92, YD/512-92

产品通过的认证Certification: RoHS、CQC 认证

产品技术参数Specifications:

CUSTOMER		MODEL NO	QNJ-400A DC24V
ELECTRICAL SPECIFICATION			
PRIMARY			
环境温度 Ambient Temperature		-25℃~+85℃	
振动 Vibration		频率 1~50Hz 振幅 25±1mm	
海拔高度 Height above sea level		≤2000m	
触点形式 Contact Form		1NO	
额定工作电压		DC48V	
额定工作电流 DC-1 Rated operating current Ie		400A	
触头接触电阻 mΩ		≤0.6mΩ	
约定发热电流 Conventional thermal current Ith A		400A	
操作频率 h ⁻¹ Use frequency h ⁻¹		600	
额定绝缘电压 Insulation Resistance		1500V	
介质耐压 Initial Dielectric Strength	线圈触点间 Between Contacts and Coil	3500V/1Min 无击穿或闪络现象, 且泄露电流≤5mA 3500V/1Min No breakdown or flashover, And leakage current ≤ 5mA	
	开路触点间 Between Open Contacts	3500V/1Min 无击穿或闪络现象, 且泄露电流≤5mA 3500V/1Min No breakdown or flashover, And leakage current ≤ 5mA	
电气寿命 (DC-1) Electrical Life (DC-1)		5×10 ⁴ 次	
温升 Elevatory temperature	线圈 (额定控制电压下) Coil (Rated control voltage)	≤85K	
	接线端子 (额定工作电流下) Terminal blocks (Rated operating current)	≤70K	
	外壳 Outer Shell	<70K	
漆包线 magnet wire	耐温 Temperature Resistance	≤180℃	
	绝缘等级 Insulation grade	H 级	
	耐压 (漆层对地) Pressure resistance (paint layer against ground)	1000V/1Min 无击穿或闪络现象, 且泄露电流≤5mA 1000V/1Min No breakdown or flashover, And leakage current ≤ 5mA	

线圈参数 (在 20℃下) COIL DATA (AT 20℃)

额定电压 RATED VOLTAGE (V DC)	起动电流 Starting Current	保持电流 Holding Current	吸合电压范围 PICK-UP (V DC)	释放电压范围 DROP (V DC)	吸合功率 Pickup power
24V	<0.5A	< 450mA	20.4-26.4V	2.4-16.8V	< 15VA

可根据客户要求特殊定做 Specifications can be made according to customer's order.

南京全宁电器有限公司
Nanjing QuanNing Electric Co.,Ltd

江苏省南京市江宁区东山科创园润麒路 68 号

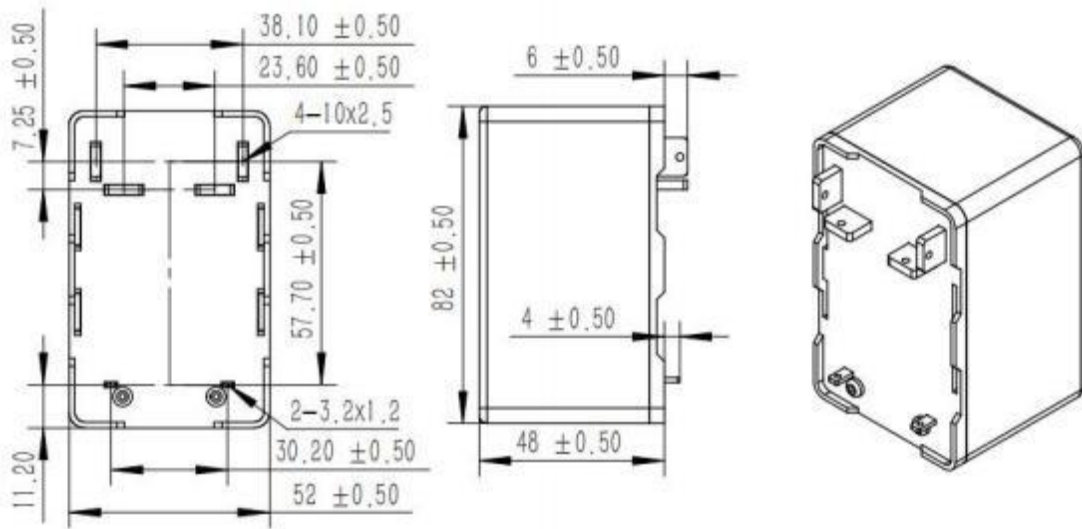
TEL: (025) 52628081

FAX: (025) 52628051

E-MAIL: njquanning@outlook.com

CUSTOMER		MODEL NO	QNJ-400A DC24V
----------	--	----------	----------------

OVERALL AND MOUNTING DIMENSIONS (外型尺寸与安装尺寸)



接线图

