

**南京全宁电器有限公司**  
Nanjing QuanNing Electrical Appliance Co.,Ltd

CUSTOMER		MODEL NO.	QNZ-100A DC24V
----------	--	-----------	----------------

产品外形图 Dimension Drawing



ORDER DESIGNATION

QN Z - 100A □

线圈工作电压 **rating voltage**

负载额定工作电流 **Rated operating current of DC-1**

单极直流接触器 **Single-pole DC contactor**

企业代号 **Corporation code**

# Nanjing QuanNing Electrical Appliance Co.,Ltd

TEL: +86 (025) 52628081

 E-MAIL: [niquanning@outlook.com](mailto:niquanning@outlook.com)

产品应用范围: 变频器、通信电源、蓄电池车辆、牵引机车、不间断电源系统

Application: inverter, telecommunication power supply, battery driven vehicle, traction locomotive, uninterruptible power supply system

产品设计符合标准: IEC60947-4, GB14048.1, GB14048.4, JB2286-78, JB3974-85, YD/T585-92, YD/512-92

Standards: IEC60947-4, GB14048.1, GB14048.4, JB2286-78, JB3974-85, YD/T585-92, YD/512-92

产品通过的认证: CCC

Certification: CCC

产品技术参数:

Specifications:

CUSTOMER		MODEL NO	QNZ-100A DC24V
ELECTRICAL SPECIFICATION			
PRIMARY			
环境温度Ambient Temperature	-25 °C ~ +85 °C		
振动Vibration	Frequency 1~50Hz	Amplitude 25±1mm	
海拔高度Height above sea level (m)	≤ 3000		
触点形式Contact Form	1NO		
额定工作电压Rated working voltage (VDC)	48		
额定工作电流 DC-1 Rated operating current Ie (A)	100		
触头压降Contact resistance mΩ	≤0.6		
约定发热电流Conventional thermal current Ith (A)	100		
触头材料Contact material	银铜合金Silver-copper alloy		
操作频率h <sup>-1</sup> Use frequency h <sup>-1</sup>	600		
绝缘电阻Insulation resistance (MΩ)	5 (500VDC)		
绝缘电阻测试条件 Insulation resistance test conditions	环境温度Ambient Temperature: 常温 Normal temperature 环境湿度Ambient Humidity: ≤85% 兆欧表Megger: 500V 0~500MΩ		
额定绝缘电压Rated Insulation Voltage (VDC)	1500		
额定绝缘电压测试条件 Rated Insulation Voltage test conditions	环境温度Ambient Temperature: 常温 Normal temperature 环境湿度Ambient Humidity: ≤85% 介质耐压Initial Dielectric Strength		

介质耐压 Initial Dielectric Strength	线圈触点间 Between Contacts and Coil	3500V/1Min无击穿或闪络现象，且泄露电流 $\leq 5\text{mA}$ 3500V/1Min No breakdown or flashover , And leakage current $\leq 5\text{mA}$
	开路触点间 Between The Open Contacts	3500V/1Min 无击穿或闪络现象，且泄露电流 $\leq 5\text{mA}$ 3500V/1Min No breakdown or flashover, And leakage current $\leq 5\text{mA}$
温升 Elevated temperature	线圈（额定控制电压下） Coil(Rated control voltage)	$\leq 85\text{K}$
	接线端子（额定工作电流下） Terminal blocks(Rated operating current)	$\leq 70\text{K}$
	外壳Outer Shell	$< 70\text{K}$
漆包线 magnet wire	耐温Temperature Resistance	$\leq 180^\circ\text{C}$
	绝缘等级Insulation grade	H
	耐压（漆层对地）Pressure resistance (paint layer against ground)	1000V/1Min无击穿或闪络现象，且泄露电流 $\leq 5\text{mA}$ 1000V/1Min No breakdown or flashover, And leakage current $\leq 5\text{mA}$
耐受过载电流（7Ie/10S） Withstand overload current（7Ie/10S）		700A/10S
电气寿命（DC-1）Electrical endurance（DC-1）		$5 \times 10^4$ 次
电气寿命测试条件 Electrical endurance test conditions		Ambient Temperature: Normal temperature Coil voltage 24VDC Load condition 48VDC/200A 1S ON/9S OFF
机械寿命Mechanical Endurance		$20 \times 10^4$ times
机械寿命测试条件 Mechanical endurance test conditions		Ambient Temperature: Normal temperature Coil voltage 24VDC Cycle rate 30 times / minute Duty cycle 50%（1S ON /1S OFF）

## 电气耐性试验Electrical reliability test

No.	测试项目 Test items	设备/工具 Equipment / tools	判定条件 Decision condition
1	匝间测试 Turn to turn test	匝间测试仪 Turn to turn tester	无匝间短路 No turn to turn short circuit
2	匝数测试 Turns test	匝数测试仪 Turns tester	线圈匝数和阻值 Coil turns and resistance
3	线圈温升测试 Rise coil temperature test	温箱 Warm box	<95K
4	特性测试 Characteristic test	特性测试仪 Characteristic tester	Pull Voltage: 0.85~1.10Us Release Voltage: 0.1~0.7Us
5	早期失效测试 Early failure test	早期失效仪 Early failure tester	On off 2400 times
6	触头压降测试 Contact voltage drop test	温升测试仪 Temperature rise tester	<70mV
7	介质耐压. Initial Dielectric Strength	线圈触点间 Between Contacts and Coil	3500V/1Min Zero breakdown or flashover, leakage current $\leq 5\text{mA}$
		开路触点间 Between The Open Contacts	3500V/1Min No breakdown or flashover, and leakage current $\leq 5\text{mA}$
		漆包线 Enameled wire	1000V/1Min No breakdown or flashover, and leakage current $\leq 5\text{mA}$
8	电气寿命测试 Electrical endurance test	电寿命测试仪 Electrical endurance tester	1S ON/9S OFF $5 \times 10^4$ Cycles

## 线圈参数（在20℃下）COIL DATA（Below 20℃）

额定电压Nominal Voltage（V DC）	24
起动电流Starting Current（A）	<0.3
保持电流Holding Current（mA）	<300
吸合电压Pull Voltage（V DC）	20.4~26.4
吸合时间Pull Time（ms）	<20
释放电压Release Voltage（V DC）	2.4~16.8
释放时间Release Time（ms）	<10
线圈额定功率Coil Rated Power（VA）	<15
可根据客户要求特殊定做 Specifications can be made according to customer's order.	

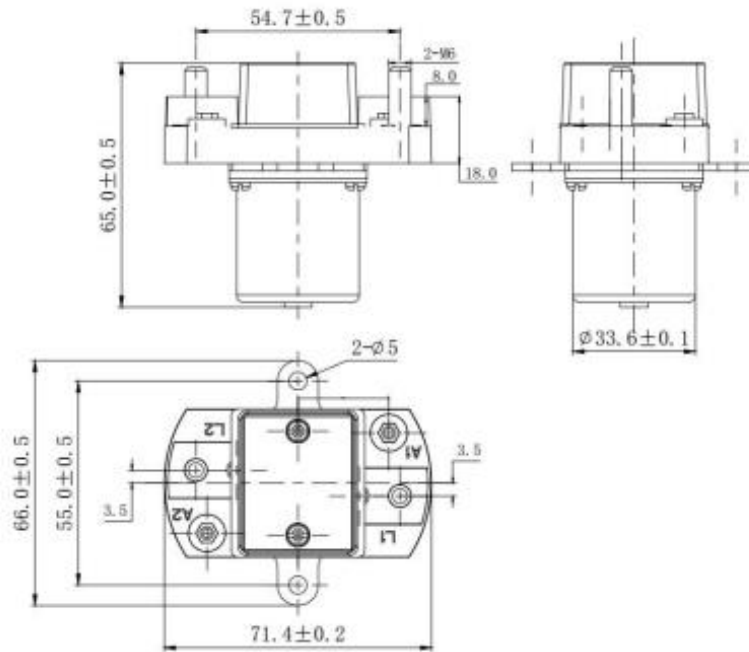
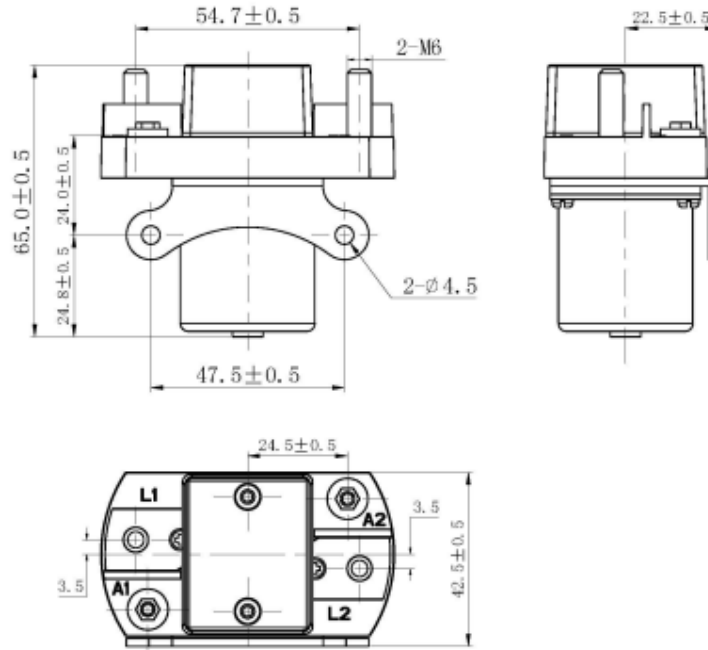
# Nanjing QuanNing Electrical Appliance Co.,Ltd

TEL: +86 (025) 52628081

E-MAIL: [niquanning@outlook.com](mailto:niquanning@outlook.com)

CUSTOMER	MODEL NO	QNZ-100A DC24V
----------	----------	----------------

OVERALLAND MOUNTING



Wiring diagram

