

南京全宁电器有限公司
Nanjing QuanNing Electric Co.,Ltd

江苏省南京市江宁区东山科创园润麒路 68 号

TEL: (025) 52628081

FAX: (025) 52628051

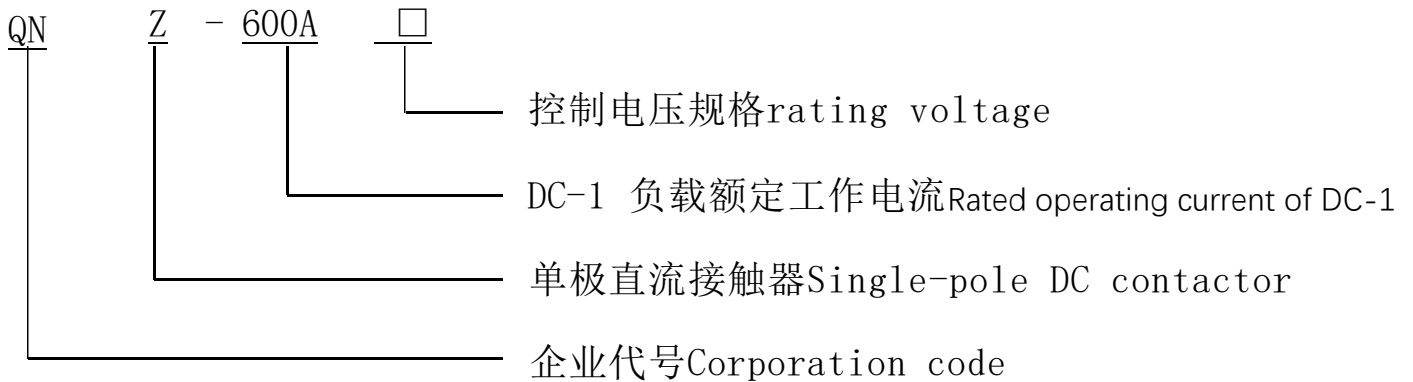
E-MAIL: njquanning@outlook.com

CUSTOMER		MODEL NO	QNZ-600A DC72V
----------	--	----------	----------------

产品外形图



ORDER DESIGNATION (订货标记)



南京全宁电器有限公司

Nanjing QuanNing Electric Co.,Ltd

江苏省南京市江宁区东山科创园润麒路 68 号

TEL: (025) 52628081

FAX: (025) 52628051

E-MAIL: njquanning@outlook.com

产品应用范围: 蓄电池车辆、牵引机车、不间断电源系统、软启动

Application: Soft starter ,battery driven vehicle, traction locomotive, uninterruptible power supply syste

产品设计符合标准Standards: IEC60947-4 , GB14048.1 , GB14048.4 , JB2286-78, JB3974-85, YD/T585-92, YD/512-92

产品通过的认证Certification: CCC 认证

产品技术参数Specifications:

CUSTOMER		MODEL NO	QNZ-600A DC72V
ELECTRICAL SPECIFICATION			
PRIMARY			
环境温度 Ambient Temperature			-25℃~+85℃
振动 Vibration			频率 1~50Hz 振幅 25±1mm
海拔高度 Height above sea level			≤3000m
触点形式 Contact Form			1NO
额定工作电流 DC-1 Rated operating current Ie			600A
触头接触电阻 Contact resistance mΩ			≤0.6mΩ
约定发热电流 Conventional thermat current Ith A			600A
操作频率 h ⁻¹ Use frequencu h ⁻¹			600
额定绝缘电压 Insulation Resistance			1500V
介质耐压 Initial Dielectric Strength	线圈触点间 Between Contacts and Coil		3500V/1Min 无击穿或闪络现象, 且泄露电流≤5mA 3500V/1Min No breakdown or flashover , And leakage current ≤ 5mA
	开路触点间 Between Open Contacts		3500V/1Min 无击穿或闪络现象, 且泄露电流≤5mA 3500V/1Min No breakdown or flashover , And leakage current ≤ 5mA
电气寿命 (DC-1) Electrical Life (DC-1)			5×10 ⁴ 次
温升 Elevatory temperature	线圈 (额定控制电压下) Coil (Rated control voltage)		≤85K
	接线端子 (额定工作电流下) Terminal blocks (Rated operating current)		≤70K
	外壳 Outer Shell		<60K
漆包线	耐温 Temperature Resistance		≤180℃
	绝缘等级 Insulation grade		H 级
	耐压 (漆层对地) Pressure resistance (paint layer against ground)		1000V/1Min 无击穿或闪络现象, 且泄露电流≤5mA 1000V/1Min No breakdown or flashover , And leakage current ≤ 5mA

线圈参数 (在 20℃下) COLLDATE (AT 20℃)

额定电压 NOMINAL VOLTAGE (V DC)	启动电流 Starting Current (A)	保持电流 Holding Current (A)	吸合电压范围 PULL IN CURRENT RANGE (V DC)	释放电压范围 DROP VOLTAGE RANGE (V DC)	吸合功率 PULL IN POWER (VA)
72	< 0.2	< 0.18	61.2-79.2	7.2-43.2	<15

可根据客户要求特殊定做 Specifications can be made according to customer' s order.

南京全宁电器有限公司
Nanjing QuanNing Electric Co.,Ltd

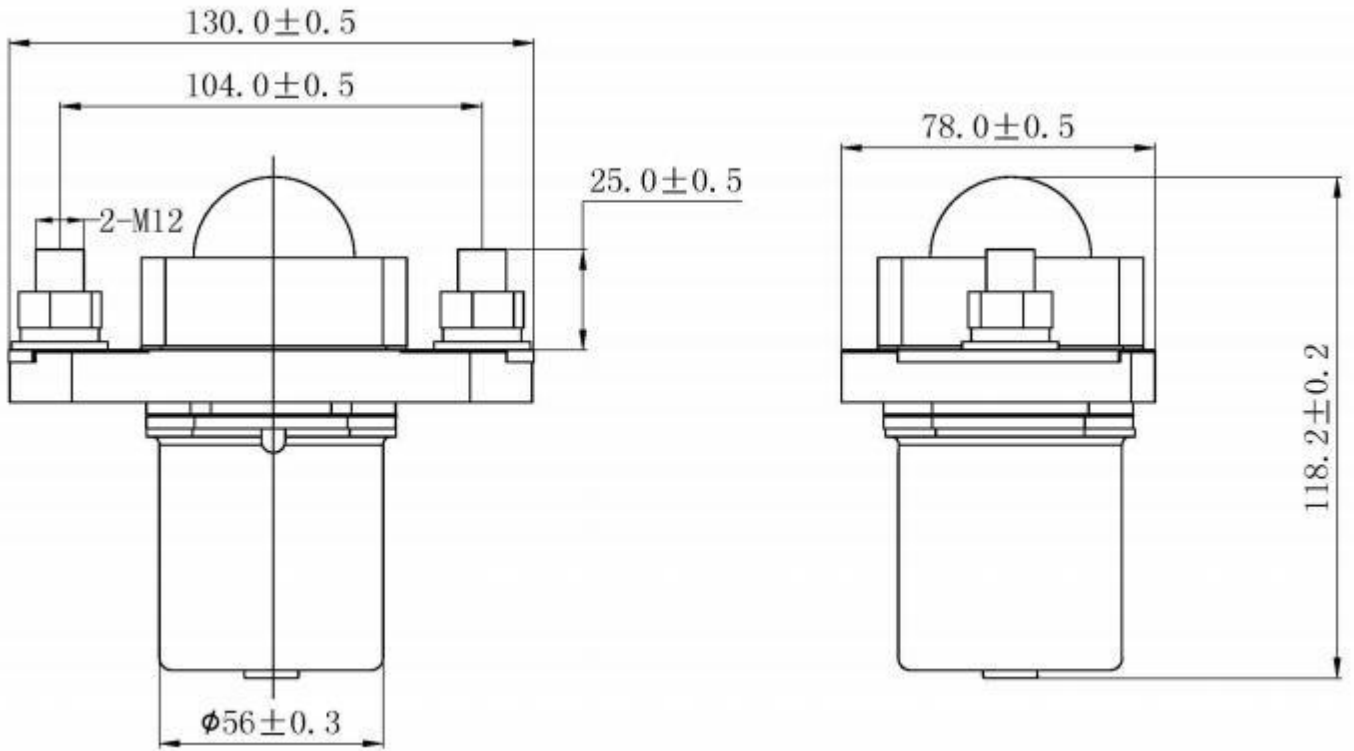
江苏省南京市江宁区东山科创园润麒路 68 号

TEL: (025) 52628081

FAX: (025) 52628051

E-MAIL: njquanning@outlook.com

CUSTOMER		MODEL NO	QNZ-600A DC72V
OVERALL AND MOUNTING DIMENSIONS (外型尺寸与安装尺寸)			



接线图

