

CT - 2300

Manual Table Cut-off Machine

CUTTING



2022

04 / 15

CT - 2300 Manual Table Cut-off Machine

CT-2300 is a simple, manual table cut-off machine. It is widely used in the cutting of PCB boards, semiconductor components, wafer ceramics, quartz glass and petrographic samples.

Features:

- ◆ Dry or wet cutting;
- ◆ T-slot vises which easy to clamping and matches variety of shaped fixture;
- ◆ Huge transparent observation window makes easy to observe the cutting process;
- ◆ For the specimens which exceed the dimensions of the table, the cover of the cutter can be set to "unlock" mode;
- ◆ Closed-loop control and precise speed adjustment between: 200-3000 rpm, the speed can be customized;
- ◆ The motor has equipped with cooling fan & overheat protection.



Technical Specifications:

Model		CT-2300
Cutting Method	Manual	The blade moves by operating a hand-wheel
Wheel	Diameter	Φ180mm
	Arbor size	12.7mm
	Speed	200~3000rpm
Cutting Capacity	Max round shape	∅ 30mm
	Max square shape	30x100mm
Table	Travel	100mm
	Dimensions WxD	350x370mm
Electric	Power	900W
	Voltage	110 / 220V,(1Ph/N/PE)
Cooling Tank	Cooling Type	Dipped into the coolant
	Water tank	Internal, around 3L
Dimensions	WxDxH	470x505x359(Close) 470x556x631(Open)
Weight		45kg

Control Panel Introduction:

- ① Start / Stop Button
- ② RPM display
- ③ Speed adjustment knob



Related Consumables & Accessories:



Cut Off Wheels



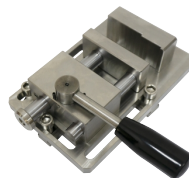
Diamond Wafering Blades



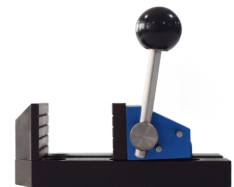
Cutting Coolant



Vertical Clamp-60



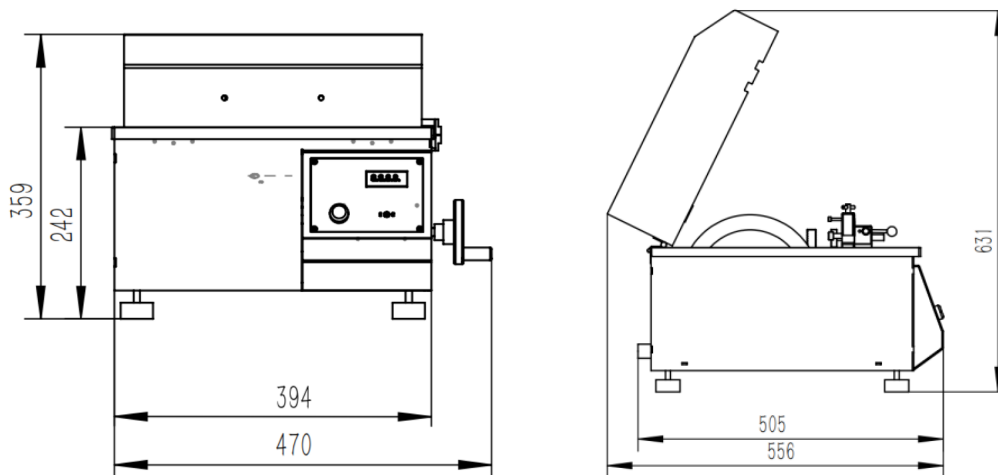
Customized Vice



Fast Lock Vice

Dimension Figure

Unite: mm



Purchase list:

Cut Off Wheels:

01.01.114-1	A60 Cut Off Wheels(Extremely Hard)	A601808	180*12.7*0.8mm	10pcs
01.01.214	A50 Cut Off Wheels(Medium Hard)	A501808	180*12.7*0.8mm	10pcs
01.01.314	A30 Cut Off Wheels(Soft)	A301808	180*12.7*0.8mm	10pcs
01.02.414	S20 Cut Off Wheels(Soft Non-Ferrous)	S201808	180*12.7*0.8mm	10pcs

Diamond Wafering Blades:

01.03.541	DP Diamond Plating Wafering Blade	DP181308	180*12.7*0.8mm	1PC
01.04.640	DR Diamond Resin Bond Wafering Blade	DR181608	180*16.0*0.8mm	1PC
01.05.741	DM Diamond Metal Bond Wafering Blade	DM181308	180*12.7*0.8mm	1PC

CBN Wafering Blades:

01.06.941	CBN-R CBN Resin Bond Wafering Blades	CBN-R181210	180*12.7*1.0mm	1PC
01.10.935	CBN-M CBN Metal Bond Wafering Blades	CBN-M181308	180*12.7*0.8mm	1PC

Cutting Coolant:

01.07.810/820	TJ 1220 Cutting Coolant			1L/5L
01.07.857/860	TJ 1410 Cutting Coolant			1L/5L



TROJAN (SUZHOU) MATERIAL TECHNOLOGY CO.,LTD

Tel: +86-512-65283666

Email: sales@trojanchina.com

Web: www.trojanchina.com

Add: Building 26, No.228 Gongtang Road, Luzhi Town, Wuzhong Suzhou, China

