

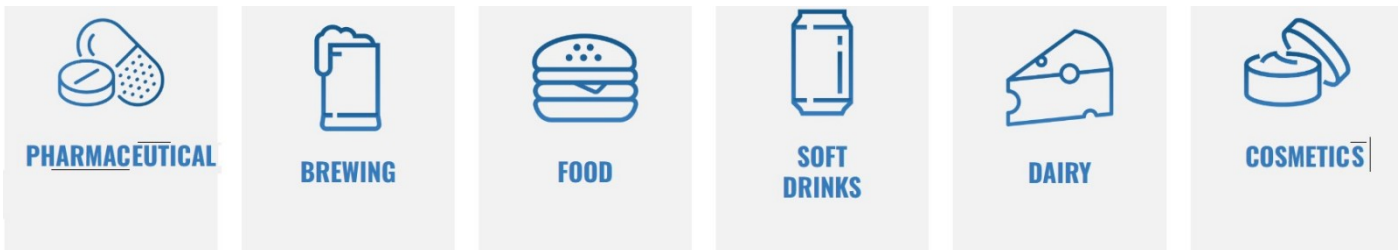
## ABOUT US:

**ZHEJIANG HESHUO TECHNOLOGY CO.,LTD** located in WENZHOU CHINA. We are a professional factory, with skillful workers and professional R&D technicians who have over 10 years' experience in manufacturing, developing and designing various Valves & fittings. Under ISO 9001 quality assurance, OEM and ODM are available.

The annual sales of the company is 50 million US dollars, 80% of which are exported. Every client is our VIP. The trade sales with over 15years experience, respect customer and respond quickly within 24hours. Committed to establishing long-term and stable cooperation with you. By the way, we will also actively participate in some international exhibitions.

Our Mission, Vision and Values focus on the provision of high-quality products designed, developed, and manufactured to meet or exceed your expectations.

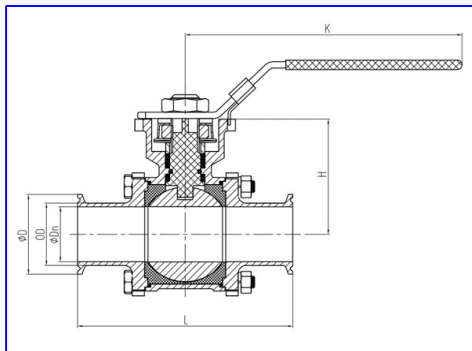
### Manufacturer of Hygienic valves and tube fittings



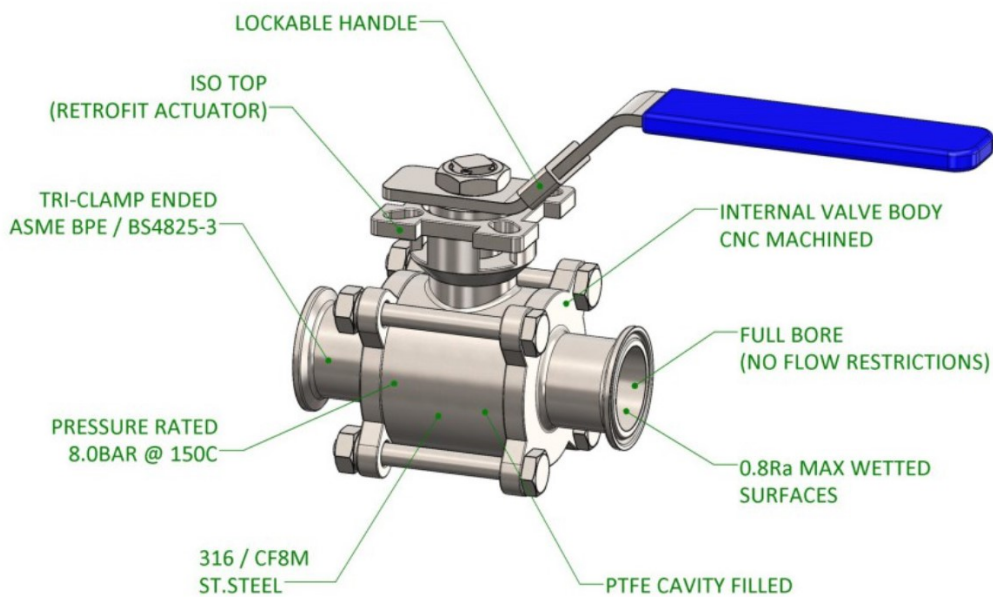
## HESHUO BALL VALVES

### HESHUO Three Piece Direct Mount Ball Valves

The HESHUO Three Piece Direct Mount Cavity Filled Ball Valve is a stainless steel, full bore, on/off valve that can be supplied with any fitting or flange to suit your requirements.



Size	OD	Dn	D	L	K	H
1/2"	12.7	9.4	25.4	89	130	36
3/4"-25.4	19.05	15.8	25.4	101	130	42.5
3/4"-50.5	19.05	15.8	50.5	101	130	42.5
1"	25.4	22.1	50.5	114	165	52.5
1 1/4"	31.75	28.5	50.5	125	165	60.5
1 1/2"	38.1	34.8	50.5	140	215	72.5
2"	50.8	47.5	64	156	215	78.5
2 1/2"	63.5	60	77.5	197	215	95
3"	76.2	72.9	91	229	320	112
4"	101.6	97.6	119	242	320	122.5
DN65	70	66	91	197	215	95
DN80(85)	85	81	106	228	320	120
DN80(89)	89	85	106	228	320	120
DN100	104	100	119	250	320	125



# ZHEJIANG HESHUO TECHNOLOGY CO.,LTD

NO.216.YONGXING STREET. BINHAI INDUSTRIAL WEZHOU.ZHEJIANG CHINA  
TEL/FAX.: 086-577-56614550 MOB.086-18814910075 Email:ann@cnhosuo.com

## TECHNICAL DATA

Seat Material: PTFE

Standard Internal Finish: <1.0um

Maximum Operating Pressure: 10 Bar

Wetted Part Construction: 304/316L Stainless Steel

End Connection options: Butt Weld (plain), RJT, IDF, Clamp, ILC, DIN, Flange (other options available upon request)

Actuation and Control

## FULL DIMENSIONS ARE AVAILABLE UPON REQUEST

1. Fully machined valve components in 304/316L grade stainless steel offering excellent corrosion resistance.
2. Three piece design offers you easy in-line maintenance.
3. Optional actuation package available including feedback switches and solenoid options to provide a full automation solution.
4. Direct Mount ISO pad allows for easy actuation without the need for brackets.
5. PTFE cavity filled valve ball ensure optimum level of sanitation and cleanliness.
6. Wide selection of end fittings available, thus ensuring maximum compatibility with your system.

## CONTACT DETAILS:

ZHEJIANG HESHUO TECHNOLOGY CO.,LTD

Address: NO.216.YONGXING STREET. BINHAI INDUSTRIAL LONGWAN DISTRICT WEZHOU.ZHEJIANG CHINA

SALES OFFICE

CONTACT PERSON: ANN LEE

TEL/FAX.: 086-577-56614550

MOB.086-18814910075

Web: [www.hosuocn.com](http://www.hosuocn.com)

Email: [ann@cnhosuo.com](mailto:ann@cnhosuo.com)