

LINEAR HIGH BAY LIGHT FLL3

POWER
SELECT

COLOR
SELECT

Ultra-high efficiency
up to 150 lm/W



Note: Not all of the products indicated in this specification are DLC premium qualified, please refer to <https://www.designlights.org/searcher> for more details.

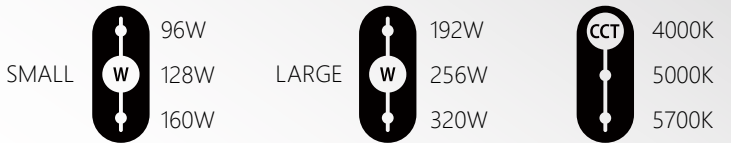
HIGH LIGHT · DURABLE · SAVE COST

1' X 2' / 1' X 4'

Suitable for Factory / Warehouse / Indoor Basketball / Court / Gym / Shopping mall and other Industrial and Commercial venues

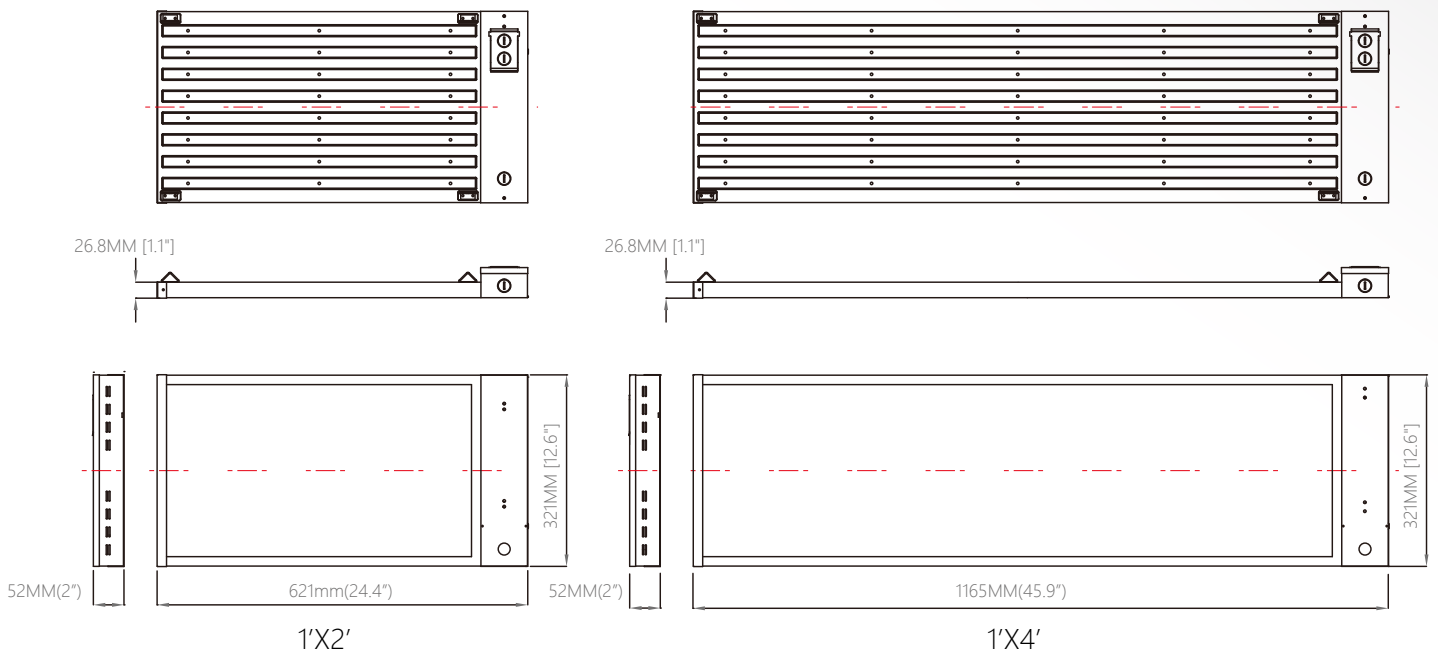
Features

1. UL Listed 1598: Suitable for Dry and Damp locations
2. Lifespan: 100,000-hour LED lifespan based on IES LM-70 results and TM-21 calculations
3. Input voltage: AC100-277V / AC120-347V ,50/60Hz
4. Heat sink white aluminum frame for excellent heat dissipation
5. Frosted lens eliminates glare
6. Double switch design can adjust Power and CCT.
7. Upgrade built-in 6KV high surge protector
8. Compatible with LED emergency drivers
9. Finish: White painted, reflective, die-formed painted steel
10. Housing: Durable steel construction



Dimension

Unit:MM/INCH



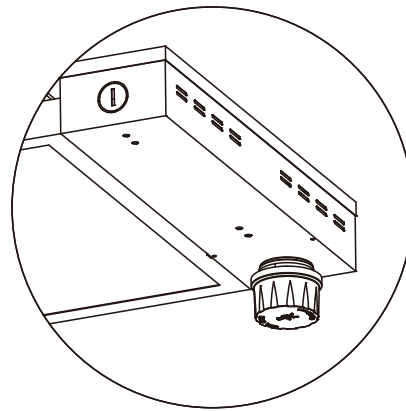
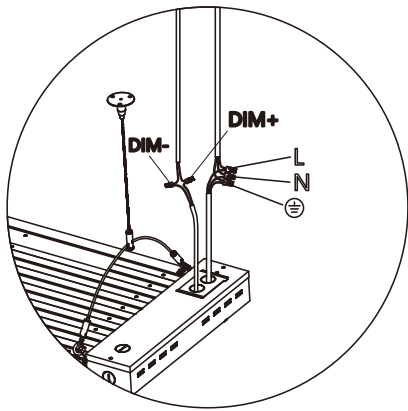
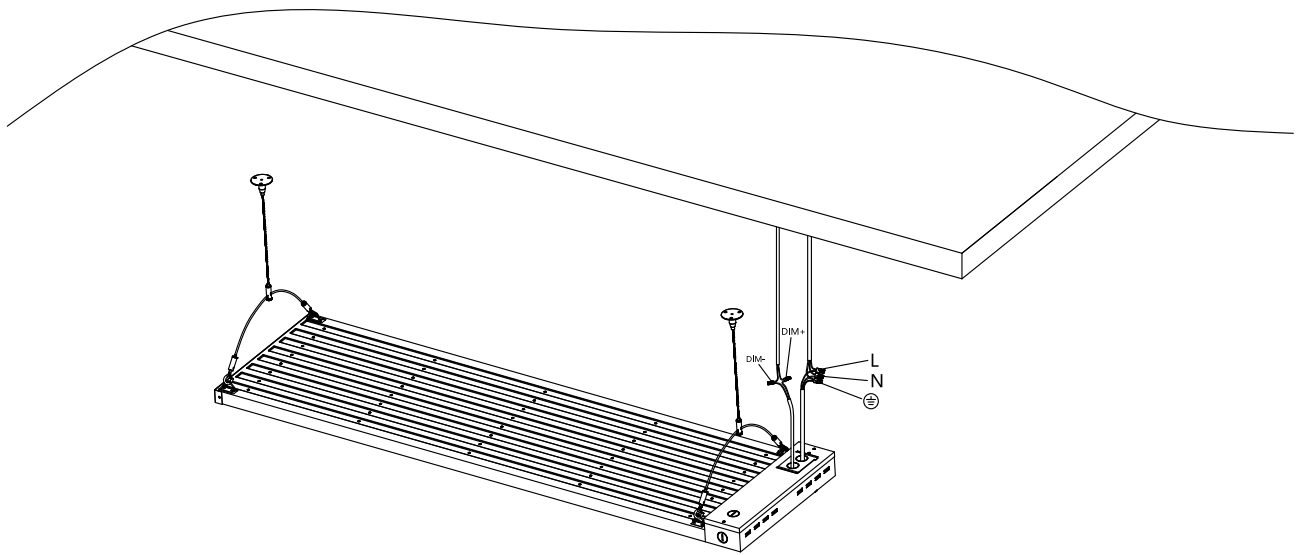
DATA SHEET			
OPTICS	Input Power (W)	160W	320W
	Power (W)(Adjustable)	96W/128W/160W	192W/256W/320W
	Efficacy (lm/W)	>150lm/W	
	CRI	>80	
	IES LM-80 results and TM-21 calculations	>100,000 hours	
	CCT (Adjustable)	4000K / 5000K / 5700K	
ELECTRICAL	Input Voltage	AC100-277V / AC120-347V ,50/60Hz	
	Max THD %	<10%	
	Power Factor	>95%	
PHYSICAL	SIZE	1'x2'	1'x4'
	Lens Type	120° Lens	
	Weight(N.W)	3.2KG(7.05lb)	4.2KG(19.15lb)
	Finish	Durable steel construction,white powder-coat finish	
CERTIFICATION	Certification	UL listed, FCC,CE,RoHS,SAA	
	Environment	Dry and Damp locations, IP54	
THERMAL	Operating Temperature	-40°F - +113°F (-40°C - +45°C)	
	Humidity	10% - 90% RH, non condensing	
QUALIFICATION	DesignLights Consortium	Listed on QPL DLC 5.1 Premium	
Surge Protection		Built-in 6kV surge protection	
Mounting		ceiling,included V-hook and Chain	
SMART OPTIONAL		Microwave Sensor / PIR Sensor / Remote Control	
OTHER	Warranty	5-years standard warranty	

Ordering Guide

Model: HG-LL03-ABCD-EFGH-IJKLM, For example: HG-LL03-160WD-57K8023-S3WH





A	B	C	D	E	F	G	H	I	J	K	L	M
Rated Power	Input Voltage	Driver Brand	Dimming	CCT	CRI	LED Chip	Beam Angle	Dimension	Color	Installation	Lens	Sensor
160W 320W	Blank-120-277V H-120-347V	Blank or 1-99	Blank-No Dim D-Dimmable	40K-4000K 50K-5000K 57K-5700K	70-Ra70 80-Ra80 90-Ra90	1-99	3-120°	S3-1'x2' L3-1'x4'	SL-Silvery WH-White	A-Chain V-V Hook	Blank-PC G-Glass	Blank-None M-Microwave Sensor P-PIR Sensor

Installation Method:



Rotate and install according to sensor "OPEN, CLOSE" identifier

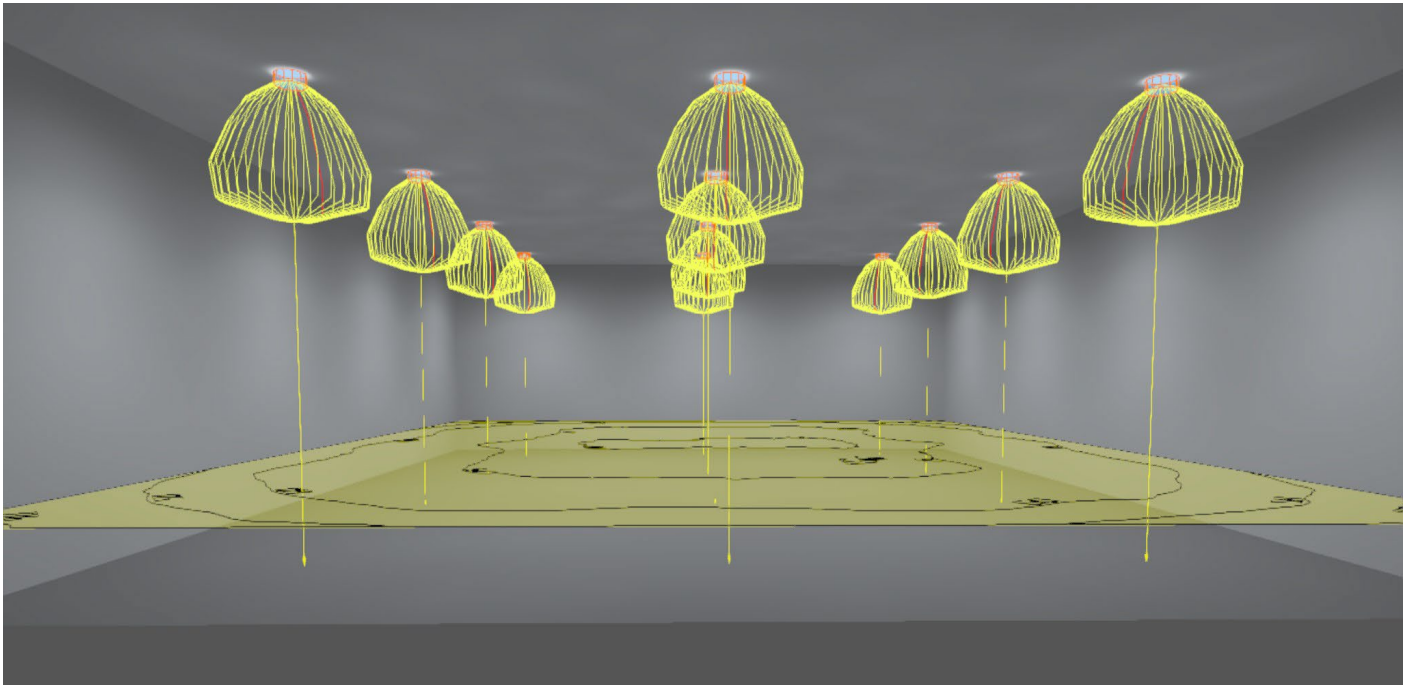


 Options		
 Microwave Sensor	 PIR Sensor	 Remote Control

Optics

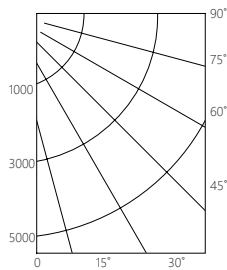
Tech.Support:

Tell us the room L,W and usage,we have an engineer team to respond the DIALUX for lights quantity and effects, IES files are available upon request.

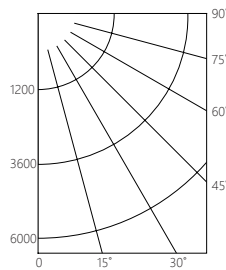


PHOTOMETRIC SPECIFICATIONS

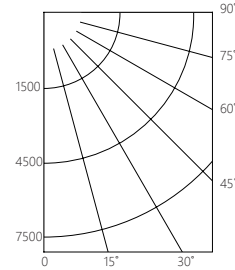
LL3-96W
Photometric Report #



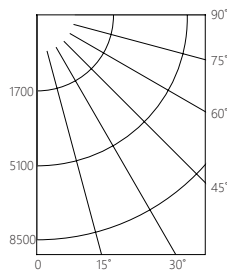
LL3-128W
Photometric Report #



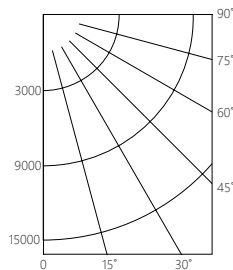
LL3-160W
Photometric Report #



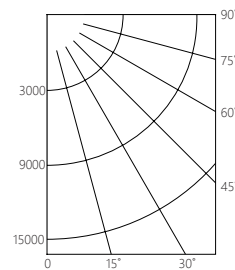
LL3-192W
Photometric Report #



LL3-256W
Photometric Report #



LL3-320W
Photometric Report #



Wiring diagram

Wiring Connection

Turn off the power, connect AC wire.

Dimmer connection (With dimmable driver.)

1. Compatible with 0-10V dimming.
2. Connect wires as below(Figure 1).

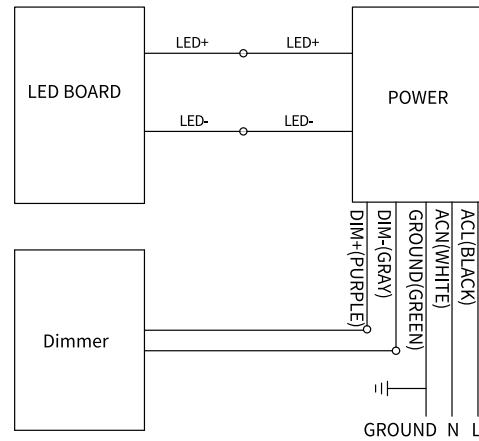
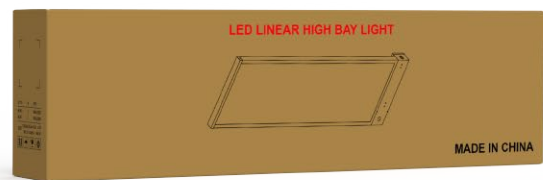


Figure 1

Package



No.	Model	Product Dimensions	N.W.	G.W.	Qty/ctn	Outer Carton Dimension	20GP/ctn	40GP/ctn	40HQ/ctn
1	HG-LL03-160W	1'X2'	12.8KGS (28.2LBS)	14.6KGS (32.1LBS)	4PCS	744x355x168 MM 29.3x14x6.6 INCH	574ctn (2296PCS)	1212ctn (4848PCS)	1506ctn (6024PCS)
2	HG-LL03-320W	1'X4'	16.8KGS (37LBS)	19KGS (41.8LBS)	4PCS	1289x355x168 MM 50.7x14x6.6 INCH	327ctn (1308PCS)	693ctn (2772PCS)	880ctn (3520PCS)

