

LED BACK-LIT PANEL LIGHT FP1



Note: Not all of the products indicated in this specification are DLC premium qualified, please refer to <https://www.designlights.org/searcher> for more details.

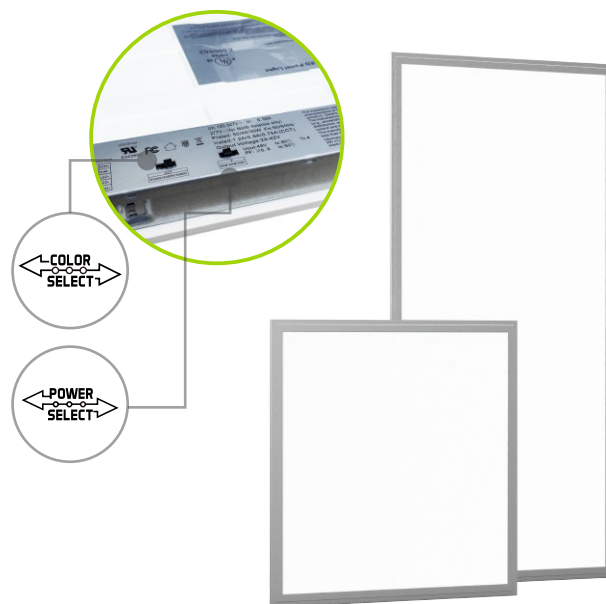
PANEL LIGHT · DURABLE · SAVE COST

2' X 2' / 2' X 4'

Suitable for schools / hospitals / offices / retail and any other commercial and home use

Features

1. Color turning, wattage changing and emergency backup are available.
2. Heat sink white aluminum frame for excellent heat dissipation, thickness only 10mm for 2x2 and 2x4 size
3. Excellent quality of PMMA diffuser with high transmittance.
4. High power factor, low THD driver ,wide input 120-347V ,50/60Hz
5. Unified Glare Rating (UGR)<22
6. Versatile Installation
7. Equipped with power feed cable for every panel, easy wiring.
8. 5-year warranty
9. UL certified.
10. Design Lights Consortium (DLC) listed.
11. CUL / UL / ETL / SAA / CE / CB / TUV / GS approved.



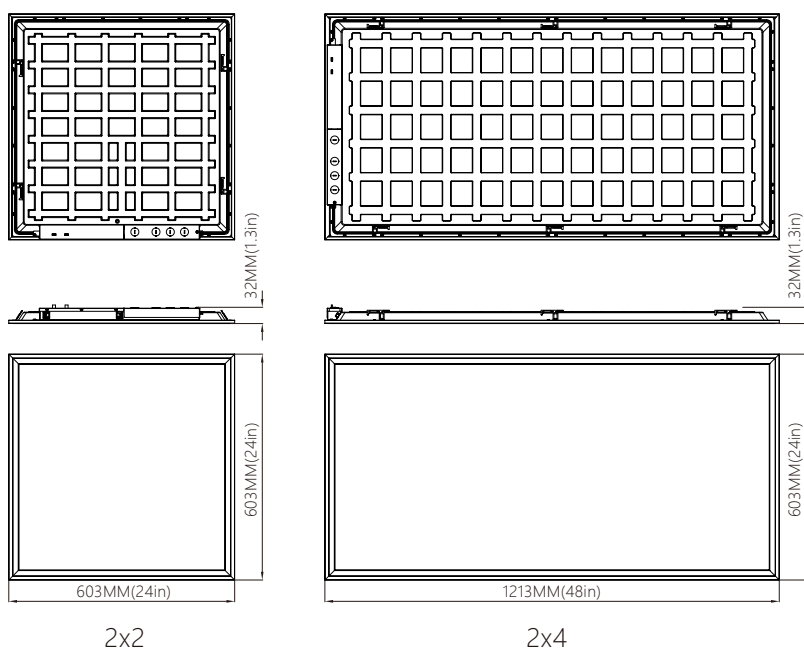
Office



Healthcare

Dimension

Unit:MM/INCH



DATA SHEET

Size	2x2	2x4
Input	AC120V-347V,50/60Hz	
LED Model	SMD 2835 1W 135 lm/W Ra80 R9>0	
LED Qty(PCS)	64/64*2	120/120*2
SDCM	<5	
CRI	>80	
Beam Angle	115°	
Efficacy	135 lm/W	
Power Efficiency	>87%	
Output Voltage	25-42VDC	
Output Current	500-1000-1250mA	
Warrant	5 YEARS	
Operating temp.(°C)	-20°C ~45°C	
Storage temp.(°C)	-20°C ~60°C	
Material	SPCC+AL6063	
THD	<15%	
Power Factor	>0.95	
DIM	0-10V	
Installation	Surface mounted/Suspending	
Certificate	UL CUL FCC DLC ROHS	

Ordering Guide

Model: FU-GRULbbWcXcyyA , For example: FU-GRUL50S2X4503

bb	W	cXc	yy	A
Power		Size(ft)	CCT	Functional
30W 36W 40W 50W	W=W / C / S	2ftX2ft=2X2 2ftX4ft=2X4	3500K=35 4000K=40 5000K=50	A=0~9 Functional differentiation

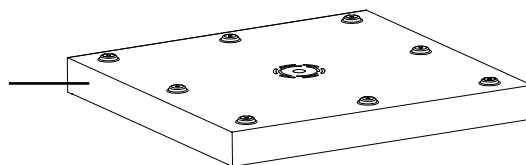
Mounting Kits

Surface Mounting Kits

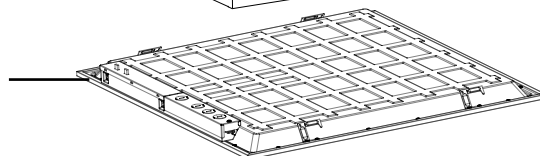
2X2 Surface Mounting Kit

2X4 Surface Mounting Kit

Surface
mount kit



Led Back-lit
panel Light

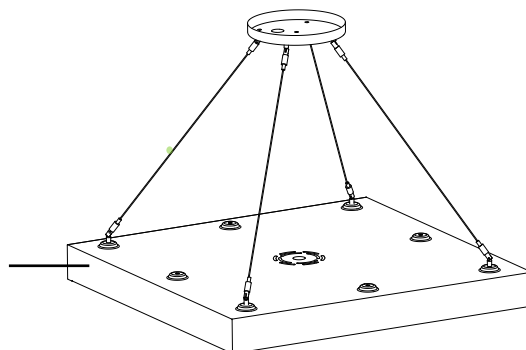


Pendant Mounting Kits

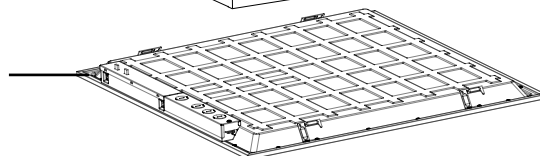
2X2 Pendant Mounting Kit

2X4 Pendant Mounting Kit

Pendant
mount kit



Led Back-lit
panel Light

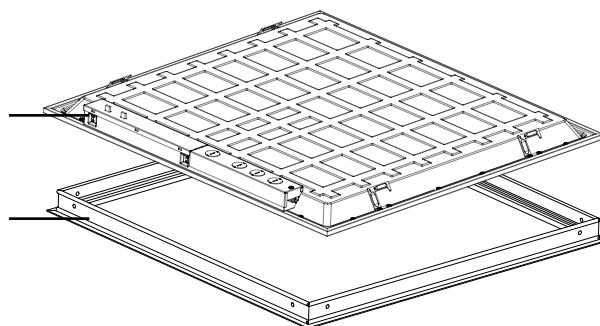


Recessed Drywall Mounting Kits

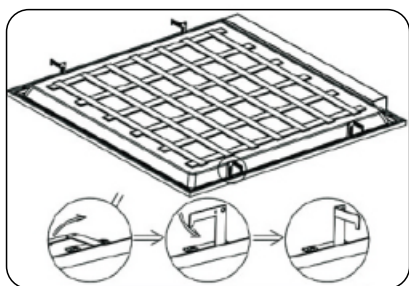
2X2 Recessed Mounting Kit

2X4 Recessed Mounting Kit

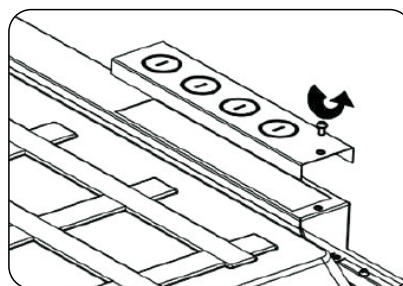
Led Back-lit
panel Light



Recessed
Mounting
Kit



Lift up four mounting clips on the sides of the luminaire. You can do it by hand (Do wear work gloves) or use pliers.

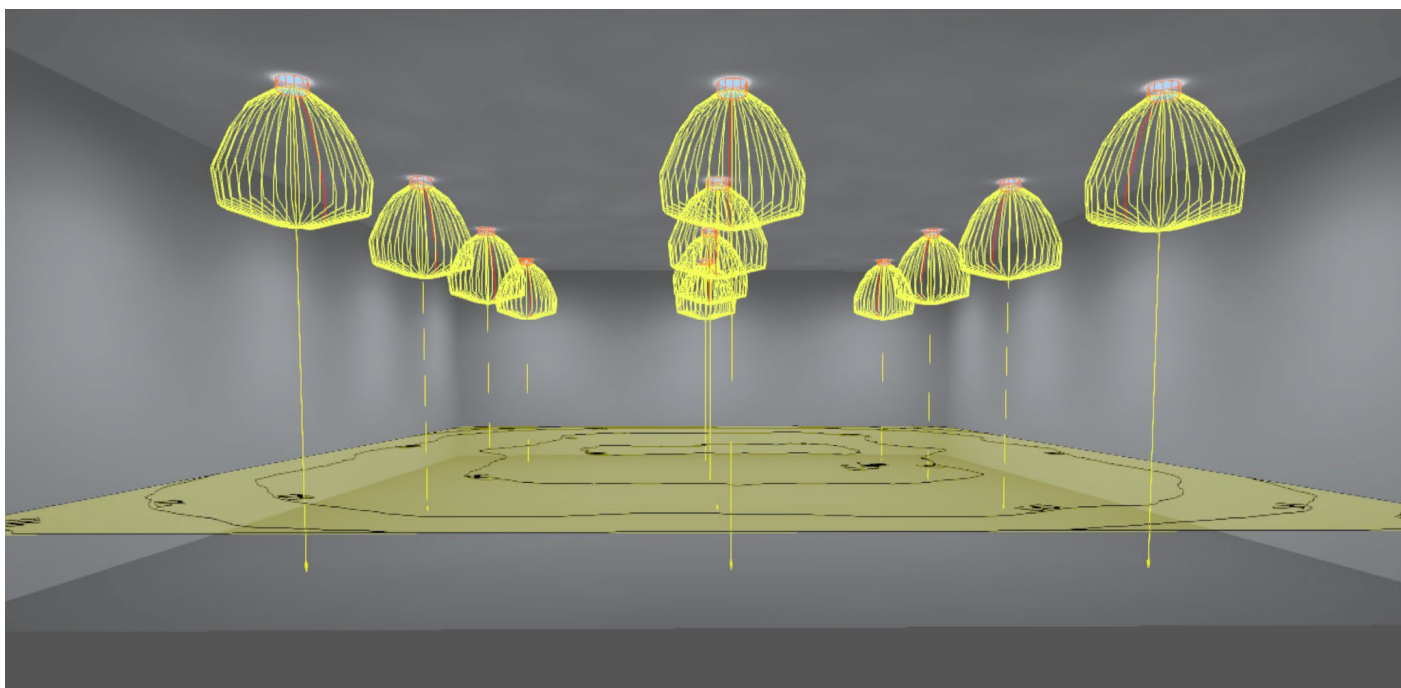


Remove electrical enclosure cover. Carefully remove knockout for AC line input wires and 0-10V control line. Install listed electrical fittings in the knockout holes for wire protection if needed.

Optics

Tech.Support:

Tell us the room L,W and usage,we have an engineer team to respond the DIALUX for lights quantity and effects, IES files are available upon request.



Performance

2x2	30W			36W			40W		
	3500K	4000K	5000K	3500K	4000K	5000K	3500K	4000K	5000K
Lumens	3960	4050	3930	4716	4788	4752	5160	5280	5200
Efficacy(lm/W)	132	135	131	131	133	132	129	132	130
CRI	79	81	81	79	81	81	79	81	81
2x4	30W			40W			50W		
	3500K	4000K	5000K	3500K	4000K	5000K	3500K	4000K	5000K
Lumens	3960	4050	3930	5240	5320	5240	6500	6600	6550
Efficacy(lm/W)	132	135	131	131	133	131	130	132	131
CRI	79	81	81	79	81	81	79	81	81

Wiring diagram

Wiring Connection

Turn off the power, connect AC wire.

Dimmer connection (With dimmable driver.)

1.Compatible with 0-10V dimming.

2.Connect wires as below(Figure 1).

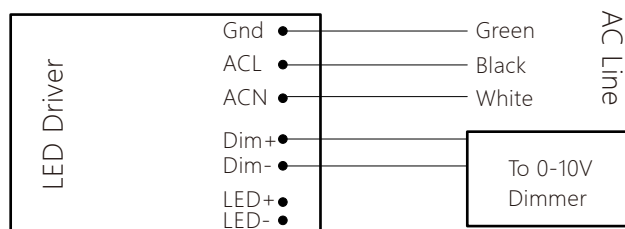


Figure 1

Package



No.	Model	Product Dimensions	N.W.	G.W.	Qty/PCS	Outer Carton Dimension	20GP/PCS	40GP/PCS	40HQ/PCS
1	FU-GRULbbW2X2yyA	2ft x 2ft	14.5 / 31.9 KGS/LBS	16.2 / 35.6 KGS/LBS	6PCS	655 x 260 x 660 MM 25.8 x 10.2 x 26 INCH	1266 PCS	2700 PCS	3456 PCS
2	FU-GRULbbW2X4yyA	2ft x 4ft	16.9 / 37.2 KGS/LBS	19.1 / 42 KGS/LBS	4PCS	1265 x 185 x 675 MM 50 x 7.3 x 26.6 INCH	608 PCS	1308 PCS	1668 PCS

