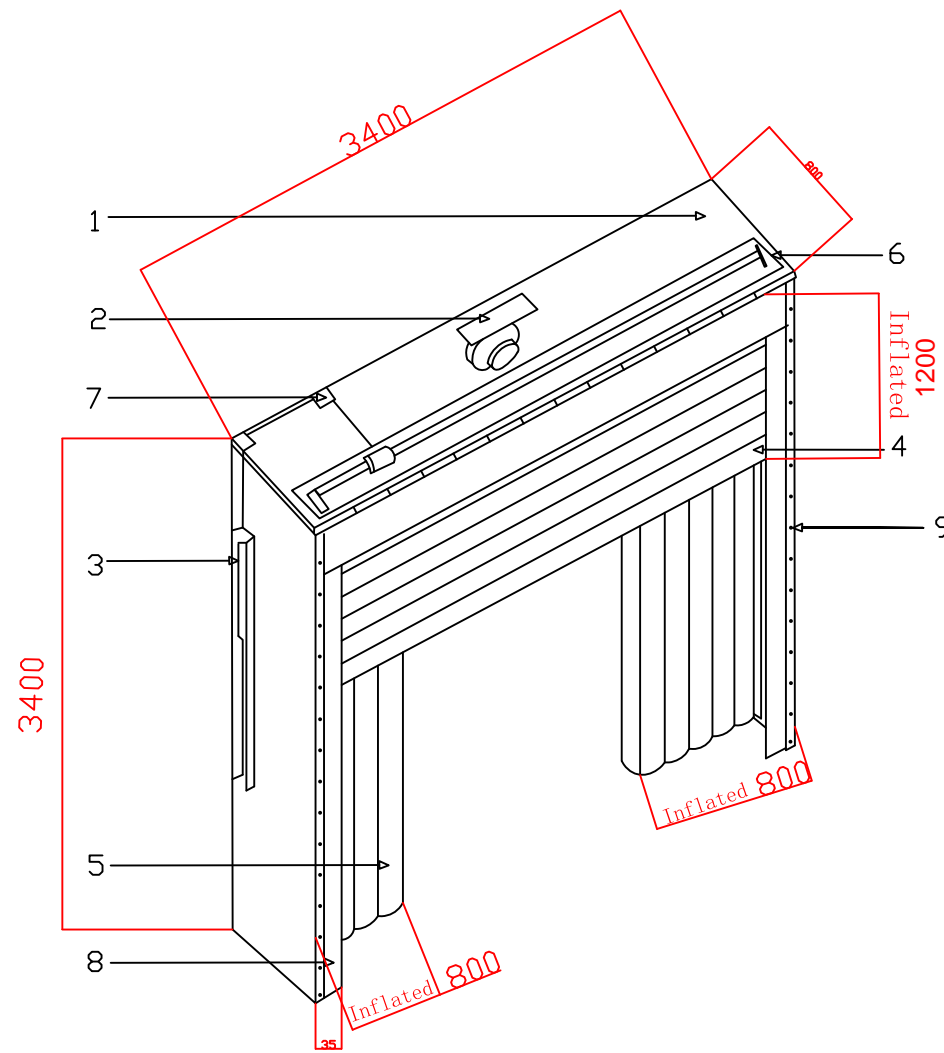


Two Sets



1. Cover panel (side+top, 50mm thick)
2. Air blower (380V, 0.75KW)
3. Balance weight
4. Top air bag (Black)
5. Side air bag (Black)
6. Roller of balance weight system
7. Parts of balance weight system
8. PVC fabric, 3.0mm thick
9. Self-tapping screws

				Inflatable Dock Seal		Shanghai Kenvo Door Co.,Ltd		
Design mark		Weight	Scale					
Mark	NO.	Document	NO.	Sign	Date			1:30
Design						Total		NO.
Project:						Size: W3400*H3400		
				Date				