



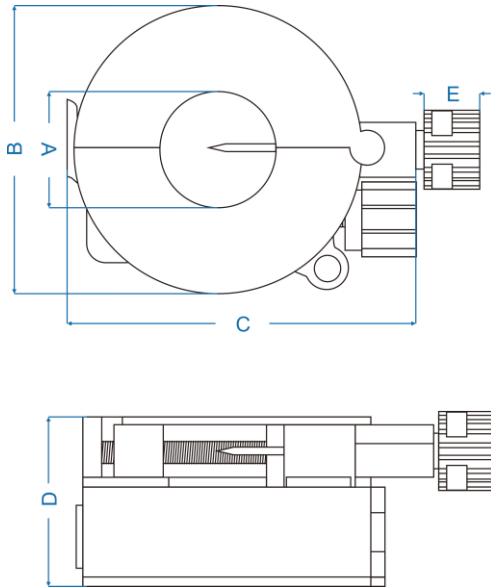
TYKCT-YQ

Product features

- Puncture to measure voltage and temperature signals;
- Split core design, small core loss and high precision;
- Snap type opening and closing structure, convenient opening and closing;
- There is no need to disconnect the bus, and the installation is convenient;



Overall dimension

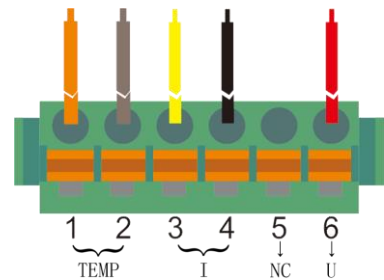


Electrical characteristics

- Maximum voltage of equipment: 0.66kV
- Rated input: 0~600A
- Rated output: mA/mV
- working frequency: 50Hz~60Hz
- working temperature: -40℃~+85℃
- Relative humidity: ≤90% at 40℃
- Power frequency withstand voltage: 3000V/1mA/1min(50Hz)
- Insulation resistance: DC500V/1000MΩ
- Temperature error: ±2℃

Leader number

1 orange; 2 ash; 3 yellow; 4 black; 5 empty; 6 red;



Product model	A (mm)	B (mm)	C (mm)	D (mm)	E (mm)
TYKCT-YQ16	16	48	60	35	12
TYKCT-YQ24	24	60	72	35	12
TYKCT-YQ36	36	72	84	35	12

Technical parameter

(rated secondary current mA/mV)

Product model	TYKCT-YQ16	TYKCT-YQ24	TYKCT-YQ36
Rated primary current	0~150A	0~300A	0~600A
Maximum continuous current	180A	360A	720A
Load resistance	RL=10Ω	RL=10Ω	RL=10Ω
Accuracy class	0.2/0.5s/0.5 Level	0.2/0.5s/0.5 Level	0.2/0.5s/0.5 Level