

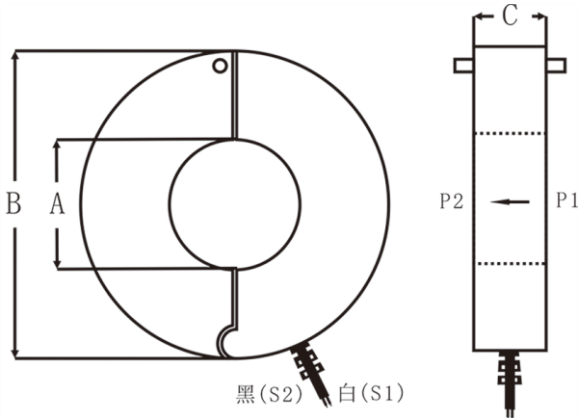


TYKCT-YE

Electrical characteristics

- Maximum voltage of equipment: 0.66kV
- Rated input: 0~3000A
- Rated output: 5A/1A/mA/mV
- working frequency: 50Hz~60Hz
- working temperature: -40℃~+85℃
- Relative humidity: ≤90% at 40℃
- Power frequency withstand voltage:
3000V/1mA/1min(50Hz)
- Insulation resistance: DC500V/1000MΩ

Overall dimension



Product model	A (mm)	B (mm)	C (mm)
TYKCT-YE025	25	80	30
TYKCT-YE040	40	100	30
TYKCT-YE060	60	115	30
TYKCT-YE100	100	185	40

(rated secondary current mA/mV)

Product model	Rated primary current	Maximum continuous current	Product model	Rated secondary voltage	Load resistance	Accuracy class
TYKCT-YE025	0~300A	360A	0~100mA	0~1V	0~10Ω	0.5/1.0 Level
TYKCT-YE040	0~600A	720A	0~100mA	0~1V	0~10Ω	0.5S/0.5 Level
TYKCT-YE060	0~1500A	1800A	0~100mA	0~1V	0~10Ω	0.2/0.5S Level
TYKCT-YE100	0~3000A	3600A	0~100mA	0~1V	0~10Ω	0.2S/0.2 Level



Product features

- Beautiful appearance and small size;
- Split core design, small core loss and high precision;
- It is convenient to install without disconnecting the bus.
- Button type opening and closing structure, convenient opening and closing;

Technical parameter

(rated secondary current 5A/1A)

Product model	Primary current (A)	load (VA)		
		Level 0.5S	Level 0.5	Level 1.0
TYKCT-YE025	200	/	/	2.5
	250	/	/	2.5
	300	/	1	2.5
TYKCT-YE040	400	/	2.5	3.75
	500	/	3.75	5
	600	2.5	5	7.5
TYKCT-YE060	800	2.5	5	10
	1000	5	7.5	10
	1500	7.5	10	15
TYKCT-YE100	1500	5	7.5	10
	2000	7.5	10	15
	2500	10	15	20
	3000	15	20	25