



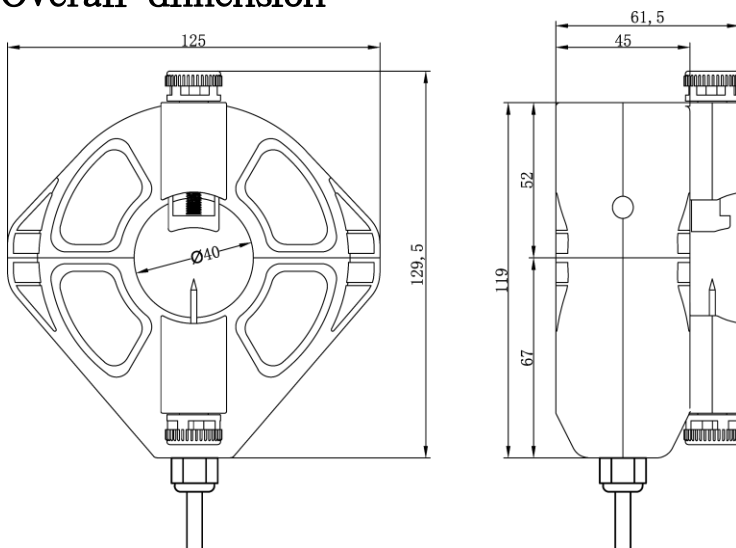
TYKCT-YM40

Product features

- Split core design, low core loss;
- Outdoor waterproof, waterproof grade IP67;
- Puncture to measure voltage and temperature signals;
- There is no need to disconnect the bus, and the installation is convenient;
- Anti falling screw opening and closing structure, convenient opening and closing;



Overall dimension



Electrical characteristics

- Maximum voltage of equipment: 0.66kV
- Rated input: 0~800A
- Rated output: 5A/1A/mA/mV
- working frequency: 50Hz~60Hz
- working temperature: -40℃~+85℃
- Relative humidity: ≤90% at 40℃
- Power frequency withstand voltage: 3000V/1mA/1min(50Hz)
- Insulation resistance: DC500V/1000MΩ

Technical parameter

(rated secondary current 5A/1A)

Product model	Primary current (A)	load (VA)		
		Level 0.5S	Level 0.5	Level 1.0
TYKCT-YM40	200	/	1	2.5
	300	/	1	2.5
	400	1	2.5	5
	500	2.5	5	7.5
	600	2.5	5	7.5
	800	5	7.5	10

(rated secondary current mA/mV)

Product model	TYKCT-YM40
Rated primary current	0~800A
Maximum continuous current	960A
Rated secondary current	0~100mA
Rated secondary voltage	0~1V
Load resistance	0~10Ω
Accuracy class	0.5s/0.5 Level

Schematic diagram

